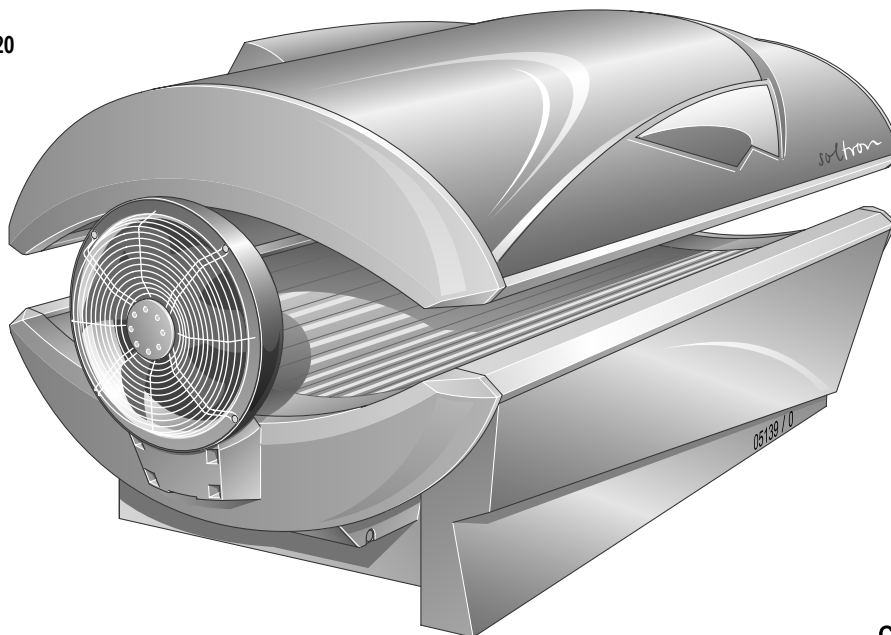


Soltron XS

834479 / Index „“ / us / kn / 10.2004

OPERATING INSTRUCTIONS INSTRUCTIONS D'UTILISATION

XS-45 Flirt*** VHP 20



USA Identify your tanning device3

Table of Contents7

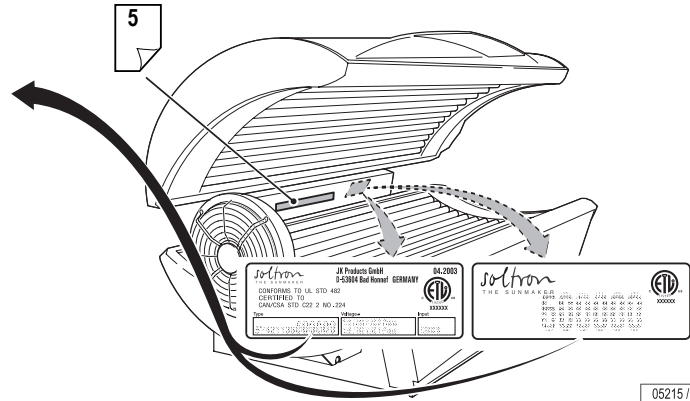
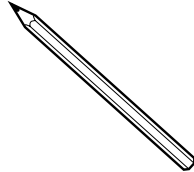
F Identifiez votre solarium65

Table de matières69

Identify your tanning device

For contact with Customer Services, please write down the device number of your tanning device.

--	--	--	--	--	--	--



Global Service Division
#1 Walter Kratz Drive
Jonesboro, Arkansas 72401



☎ 800-445-0624
☎ 870-935-9046

e-mail: support@jka-america.com

Customer Service

Skin types

Skin types

For the recommended exposure schedule (see page 5).

Skin type I:

Always burns and never tans. Fair skinned people who always burn and never tan should not use this equipment.

Skin type II:

This is the individual that usually burns easily and severely, tans minimally or lightly and peels.

Skin type III:

Often referred to as “Average” complexion, burns moderately and tans about average.

Skin type IV:

This individual burns minimally, tans easily and above average with each exposure.

Skin type V:

This individual's system rarely burns, tans easily and substantially.

Tanning times XS-45 Turbo Power, VHP 20 160W

DANGER ULTRAVIOLET RADIATION Follow instructions. Avoid over-exposure as with natural sunlight. Over-exposure can cause eye and skin injury and allergic reactions. Repeated exposure may cause premature aging of the skin and skin cancer.		Recommended Exposure Schedule					
		Skin Type	Week 1 1st - 3rd Treatments	Week 2 4th - 6th Treatments	Week 3 7th - 10th Treatments	Week 4 11th - 15th Treatments	Weekly Subsequent Treatments
Maximum Tanning Time is 20 Minutes		II - Fair	3 Min.	7 Min.	15 Min.	20 Min.	20 Min.
		III - Average	3 Min.	7 Min.	15 Min.	20 Min.	20 Min.
		IV - Brown	3 Min.	10 Min.	15 Min.	20 Min.	20 Min.
		V - Dark Brown	3 Min.	10 Min.	15 Min.	20 Min.	20 Min.

WEAR PROTECTIVE EYEWEAR! Failure to do so may result in severe burns or long term injury to the eyes.	This unit utilizes UVA lamps. Replace only with Soltron VHP 20 160W xs turbo power (canopy), Soltron VHP 20 120W xs super power (base) and JK/RUSA 400W (face tanner) or recognized equivalents. To obtain recommended exposure at a minimum distance of 1/2" (13mm) measured with a standard ruler, lie on acrylic surface of lounge and lower canopy. Canopy will stop at the correct distance from lounge acrylic surface.
Certain medications or cosmetics may increase your sensitivity to the ultraviolet radiation. Consult a physician before using sunlamps if you are using medication, have a history of skin problems or believe yourself to be especially sensitive to sunlight. If you do not tan in the sun, you are unlikely to tan from the use of this product.	
	Warning: The use of any other position may result in overexposure!

Tanning can begin on a regular basis. An appearance of tanning normally appears after a few exposures and maximizes after four (4) weeks of exposure following the recommended exposure schedule for skin type. In order to provide for maintenance of a tan a maximum of two (2) weekly 15 minute sessions is recommended from the fifth week onward.	Use protective eyewear (Part No. Schmeider 2255 Red or recognized equivalents) when equipment is on. Read and follow instruction booklet before using this product. To avoid electrical shock during maintenance disconnect power from unit.
	Part No: 834495



Note:
Description of skin types see Page 4.

05326 / 0

“This product is in conformity with performance standards for sunlamp products under CFR21 Part 1040.”

Foreword

Dear Customer,

The Soltron device you have purchased is a technically advanced and powerful product. Your device was manufactured with the greatest care and precision. It went through numerous quality and safety checks in order to guarantee trouble-free, safe operation. Nonetheless, you can also make a significant contribution to your long-term satisfaction with your device. Following the tips and instructions in the instruction manual will ensure you enjoyment and pleasure with your device.

If you have any questions, we are always available to answer them.¹⁾

Yours sincerely

Soltron Inc.

- Read and observe the information in this instruction manual. This will enable you to prevent accidents and provide you with a reliable device ready for use.
- Always observe current legal and other regulations and legal requirements as well as the applicable environmental protection regulations.



Note:

We reserve the right to make technical changes to the illustrations and specifications in this instruction manual. Reprinting and reproduction, in whole or in part, of this manual is only permitted with our previous written approval and with the source specified.

1) ☎ (800) 643 0086

Table of Contents

Skin types	4	To interrupt tanning session	23
Tanning times	5	Settings during start-up	23
Important safety notes and information	9	Regulating the face tanners	24
Safety notices	9	Regulating the fan	25
Intended use	10	Technical Data	26
Obligations of the studio operator	10	Maintenance instructions	29
Instructions pertaining to a risk of fire, electric shock, or injury	11	De-energize device and secure against being switched on again	29
Instructions pertaining to a risk of damage to the machine	13	Maintenance: overview	Fold-out page 30
Meaning of symbols	13	Maintenance intervals, installed lamps and order numbers	31
Guidelines	15	Relamping/maintenance instructions	34
Export	15	Cleaning/replacing UV low-pressure lamps in sunbed base	35
Accessories	15	Cleaning/replacing UV low-pressure lamps in canopy	37
Product information	16	Cleaning/replacing UV high-pressure lamps in canopy	39
Maintenance and care	16	Cleaning filters in sunbed base	43
Cleaning	17	Cleaning filters in canopy	44
Environmental protection information	18	Adjusting lifting mechanism for canopy	45
General tanning instructions	19		
Operating instructions	21		
Operation: overview	Fold-out page 22		
Tanning	23		

Table of Contents

Presets.....	46
Faults/Troubleshooting	56
Index	57
Soltron – Limited Warranty	59

Important safety notes and information

Safety notices

Description of warning signs

Danger notices, damage to persons:



DANGER!

Type and source of danger, e.g. "DANGER – High voltage!"

Description of the consequences, e.g. "You can be killed or injured by an electric shock!"

Countermeasures:

- Disconnect device from power supply before opening.
- Do not reach into the inside with the device switched on.

Warning notices, damage to persons:



WARNING!

Type and source of danger, e.g. "Warning – hot surface!"

Description of the consequences, e.g. "You can burn your hand (skin, face)!"

Countermeasures:

- Do not touch hot parts and nearby surfaces.
- Wait until hot parts and surfaces have cooled down.

Caution notices, damage to property:



Caution!

The word "Caution" with this label points out that danger for devices, materials and the environment can be expected here.

Important information:



Note:

This symbol does not identify safety notices, but states information for a better understanding of the processes.

Please read and observe ...

Intended use

The tanning device is intended exclusively for cosmetic tanning of the human skin.

- This device is used for tanning one adult person at a time.
- The user wears suitable eye protection that blocks UV radiation during tanning.

Any other use shall be considered improper. The manufacturer cannot be held liable for damage or injuries resulting from this. The operator bears the sole risk for this.

The proper use also includes compliance with the manufacturer's instructions, operating and maintenance conditions. This device may only be operated, maintained and repaired by persons familiar with these tasks and who have been informed of the dangers involved.

Obligations of the studio operator

- As the operator you are responsible for informing users on possible risks during tanning.
- All danger and safety labels attached to the device must be observed! Do not remove them!
- No safety equipment (e.g. panel switch) may be removed or deactivated which can impair the safe operation of the device!
- The device may only be operated in a serviceable condition!
- The operator is bound to ensure that the equipment is handled correctly.

Please read and observe ...

Instructions pertaining to a risk of fire, electric shock, or injury



DANGER!

DANGER – High voltage!

You can be killed or injured by an electric shock!

Assembly and electrical connection must comply with national and local regulations.

- The device may only be assembled, installed, upgraded or repaired by specially trained and instructed personnel.



WARNING!

WARNING – ultraviolet radiation!

Unprotected tanning may result in eye injury and eye diseases.

The unprotected eye can become inflamed on the surface, and in certain cases the retina can be damaged by excessive radiation. Cataracts can form after frequently repeated exposure to radiation.

- Inform users to close their eyes during tanning and use the included protective goggles that block UV (Order No. 84592¹⁾).



WARNING!

WARNING – ultraviolet radiation! Follow instructions!

Failure to use protective eyewear may result in severe burns or other eye injury. If discomfort develops, discontinue use and consult a physician.

- As with natural sunlight, overexposure can cause eye and skin injury, sunburn, and allergic reactions.
- Repeated exposure may cause premature aging of the skin and skin cancer.
- Medications or cosmetics applied to the skin, may increase sensitivity to ultraviolet light.
- A person who does not tan in the sun most likely will not tan from the use of this device. Persons with very sensitive skins (skin type I) must not use the unit, as with this skin type tanning is impossible without damaging the skin (e.g. sunburn).
- A person having a history of skin problems should consult a physician before use.
- Overexposure should be avoided.
- Children, the elderly, or fair skinned people who always burn easily and either never tan or tan minimally should not use this equipment.

1) Global Service Division – see page 3.

Please read and observe ...**WARNING – ultraviolet radiation!**

Danger of long-term consequences.

WARNING!

- Nursing infants and small children through age 7 years may not use this device.
- The following applies to minors under the age of 18 years: Only use tanning devices in agreement with a parent or guardian, or after consulting a physician.
- While there is no immediate clinical evidence of UVA exposure and its effects upon expectant mothers, it is strongly advised that expectant mothers be discouraged from using the tanning unit.

**WARNING – risk of infection!**

Infections can be transferred through skin contact.

WARNING!

All items/equipment components, with which the user can come into contact during tanning, must be disinfected after every tanning session:

- Protective goggles
- Headrest
- Acrylic sunbed
- Handles and control panel

**Note:**

Occasionally, persons using the tanning device will experience a slight reddening of the skin – usually in small patches – after the second or third session. This redness is often accompanied by an itching sensation. This may be nothing more than a heat “rash” caused by heat from the lamps within the device. It is generally very limited and caused by constant contact of the skin with the acrylic surface. It should go away within approximately 24 hours and should not reappear. This rashing can be lessened or prevented by applying moisturizer lotion to the affected area after the tanning session is completed.

- Follow instructions.
- The time between two tanning sessions must be at least 24 hours.
- Increasing tanning also requires an extension of the exposure time (= radiation time) or after a certain degree of tanning has been achieved, a further intensification is not possible. However, the radiation time may not be extended as desired within the scope of the permissible radiation doses! Therefore, only a certain degree of final tanning dependent on the skin type can be achieved without endangering your health.
- Inform users about proper tanning – see page 19.

Please read and observe ...

Instructions pertaining to a risk of damage to the machine



CAUTION – danger of overheating!

Danger of overheating by obstruction of the air routing.

- Do not change, obstruct or block the air inflow and out-flow area to the device or make any unauthorized changes to the device. The manufacturer shall bear no liability for damage or injuries resulting from such actions.
- Before putting a tanning device into operation, the transport pallet must be removed from under the device.

Meaning of symbols

General symbols



Inform Customer Services



Soltron key



Do not touch, hot surface!



Suction cup



Low-pressure lamp(s)



UV low-pressure lamp(s)



Starter for low-pressure lamp(s)

Please read and observe ...



UV high-pressure lam(s)



Filter panels



Cleaning and disinfectant agents



Part/item number (for orders)

Operation



Description



Press button



e.g.
2s

Press button for 2 seconds

0-3 min

Duration: 3 minutes



Loudspeaker



Headphone connection

Technical Data



Maintenance



Caution, safety switch!



Unscrew/release screw



Tighten/lock screw



Two persons are required for this work step



Cleaning

Please read and observe ...



Replacing



Clean or replace depending on soiling



Visual inspection



Filter



Continuation of work steps on next page



End of work step

Guidelines

This device was built conforming to UL STD 482, and is certified to CAN/CSA STD C22.2 2 No. 224.

Export

We would like to point out that these devices are exclusively intended for use in the USA and Canada and may not be exported to other countries and operated there! The manufacturer assumes no liability whatsoever in the event of non-compliance! We explicitly emphasize that high liability risks may occur for the exporter and/or the operator in the event of non-compliance.

Accessories

An overview of the possible accessories is provided in the sales documentation.

Please read and observe ...

Product information

Acrylic glass panels

The acrylic glass panels for the tanning devices are produced of acrylic glass developed especially for this application. The acrylics used are characterized by a particularly high UV permeability and resistance, as well as an easy-care, hygienic surface that is gentle to the skin.

The acrylic glass panels are formed to their shapes for the specific devices in a technically complex production process. Despite state-of-the-art production know-how, the presence of minor spots, air bubbles or streaks in the acrylic panels is unavoidable. In addition, microfine hairline cracks can occur on the bed surface during operation.

These occurrences are material-dependent and are unavoidable in processing, however have no significant effect on the utility value and can therefore not be recognized as defects.



CAUTION!

Cosmetics or sun screen products must be removed prior to tanning as they can cause damage (e.g. cracks on the surface) when used continuously.

Maintenance and care



DANGER!

Extreme danger! High voltage!

During maintenance work there is a risk of touching live parts and receiving a fatal electric shock.

- Disconnect device from power supply before opening – also see Page 29.
- Do not reach behind covers and do not open the device with the device switched on.
- Refit any safety devices (e.g. switches) after the work has been completed.

Maintenance and care play a major role in deciding whether the device meets the requirements placed on it in a satisfactory manner. The compliance with the specified maintenance intervals and the careful conducting of the maintenance and care work are therefore absolutely necessary – see Page 30.



CAUTION!

Only use genuine spare parts of the same type!

The use of other parts voids the conformity!

Any liability is excluded in case of damage or injury proven to be the result of the use of non-genuine spare parts.

Cleaning

Acrylic glass surfaces



CAUTION!

Do not rub with a dry cloth – danger of scratching!

Use the specially developed Antifect® fast disinfecting cleaner for quick and correct hygienic cleaning of acrylic glass surfaces.

Other cleaning agents such as concentrated disinfectants or solvents (e.g. Lysoform, ethyl alcohol or other liquids containing alcohol) must never be used for cleaning.

Failure to observe this voids all warranty claims.

Plastic surfaces

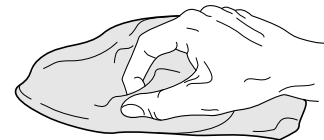
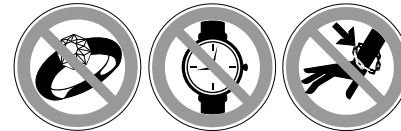
For cleaning the other plastic surfaces, it is best to use warm water and a leather cloth. Never use aggressive cleaning agents containing alcohol or essential oils. These may lead, in the long run, to damage not covered by the warranty.

During cleaning, a slight discoloration of the leather cloth by the rubber seals must be expected for production-related reasons.



Note:

Prevent damage to plastic surfaces. Remove rings, watches, bracelets etc. before the start of cleaning work.



02756 / 0

Please read and observe ...

Environmental protection information

Environmental Declaration – The JK Corporate Group

The JK corporate group is subject to the strict regulations of EC Directive 761/2001 and the ISO 14001 standard, and undergoes regular internal and external environment audits performed by trained auditors.

Environmental regulations – disposal of lamps

UV low-pressure lamps and UV high-pressure lamps contain fluorescent materials and other waste containing mercury.

According to the national waste disposal laws and in accordance with the municipal waste regulations, proof must be provided of the proper disposal of UV lamps.

Your local environmental agency will be happy to assist you with the disposal of UV lamps.

Packaging

All packaging consists of 100 % recyclable materials. Packaging brought into circulation by the JK Corporate Group that is no longer required can be returned to the JK Corporate Group. Your agency partner or dealer will be happy to advise you.

Disposal of recyclable materials

The device has been produced of recyclable materials. When being scrapped later, the device must be disposed of properly. Soltron will pro-

vide you with information on the content or potential hazards of the materials used.

Please read and observe ...

General tanning instructions

Who can get a tan?

Anyone who also gets a tan in natural sunlight. Persons with sensitive skin even tan more pleasantly and with fewer worries, as the radiation dosage can be exactly defined with sunbeds.

Certain drugs – particularly those that produce photosensitivity – may cause individuals under the influence of this type drug to experience adverse effects and those people should avoid exposure to UV sources of all kinds. Doctors will advise people taking these drugs to possible adverse effects.

The speed and intensity with which someone tans are dependent on the skin type and the individual melanin quantity in the skin. No two individual skin tones are the same. A tan to one person may be different to another and treatment length may vary.

What is Melanin?

The brownish pigment produced by special cells in the base layer of your skin determines the individual's tan. As the skin is exposed to the ultraviolet light, the melanin is activated and combines with protein cells that rise to the skin's surface, thus producing a tan. The amount of melanin in your body determines how quickly and dark you tan. The more melanin produced and exposure time an individual has, the faster and deeper the individual will tan.



Note:

The tan produced by the tanning unit is a deep, rich "Cosmetic" tan. However, regardless of how dark an individual may tan on his system, it will not provide adequate protection against overexposure to natural sunlight or UVB tanning systems.

Which tanning times are recommended?

Although there is virtually no reason to worry about sunburn with the UV tanning method, some consideration should initially be given to individual skin sensitivity.



DANGER!

Danger of skin injuries and skin diseases!

Although UVA radiation is relatively harmless compared to natural sunlight, excessive tanning times can lead to the skin becoming red and to burns.

- Comply with the recommended tanning times, see Page 5.

Once you have a tan, 1 to 2 tanning sessions per week are usually sufficient to maintain it.

Should you use sun screen?

No! It is recommended to not use sun screens, oils or lotions intended for outdoor use. Cosmetic sun screens with a sun protection factor (SPF) are intended to filter out the sun's aggressive rays. However, the light of our sunbeds only contains extremely small quantities of comparable rays, making this kind of protection unnecessary. On the contrary, the

Please read and observe ...

skin should be thoroughly cleaned and dried before each sunbath. Many facial makeups have oil bases and should be removed prior to a session.

Adequate ventilation of the room or booth housing the tanning device is required for proper and comfortable operation. Your tanning device will perform best at the ambient temperature of 75 °F to 90 °F.

It is recommended that, following a tanning session, a skin moisturizer be applied. This promotes a smoother, more even looking tan.

Operation

Mandatory reading

Always read and follow all instructions for proper usage prior to allow anybody using a tanning device. The operating instructions included with this device must always be followed to prevent possible injuries or to reduce them to a minimum.

Inform users

- to use provided UV-blocking protective eyewear whenever the equipment is energized.
- to follow the exposure schedule in accordance with their skin type. Failure to do so may result in overexposure.

A tanning system is not a toy. You cannot vary the strength of the lamps in your unit.

Should you have any questions regarding the proper use of your tanning system, contact JK Global Service at:

☎ 800 445 0624

7:00 a.m. to 7:00 p.m. (CT)



Warning – ultraviolet radiation!

Danger of skin injuries and skin diseases!

- The sunbed must never be used when a filter panel is missing or damaged, or the timer is defective!

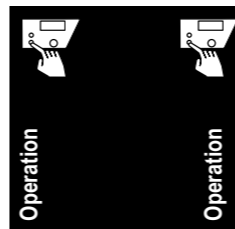
WARNING!



Note:

When describing the operation, the tanning device is often shown with the canopy open. During tanning the canopy must always be closed.

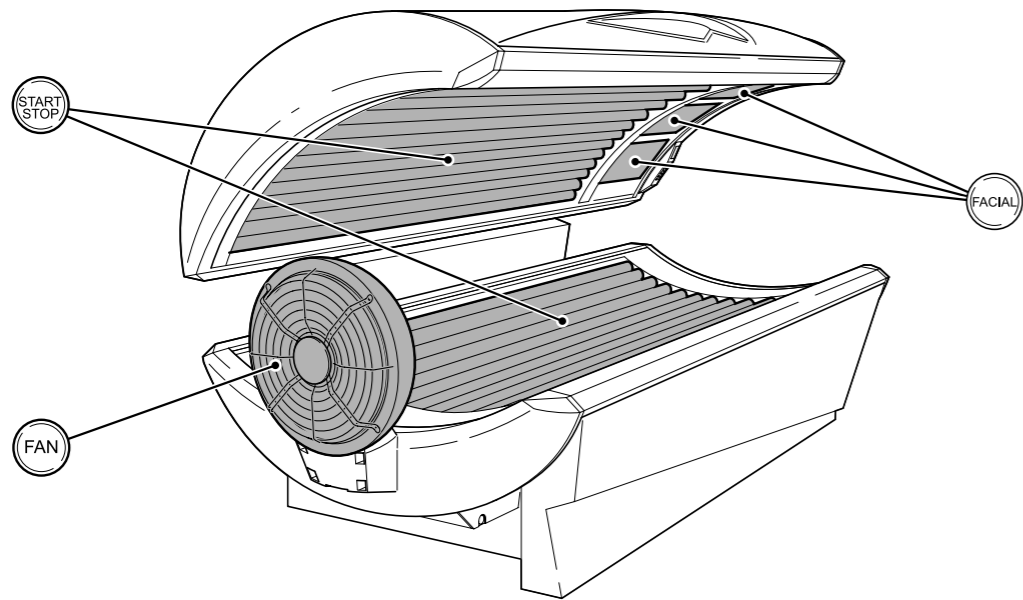
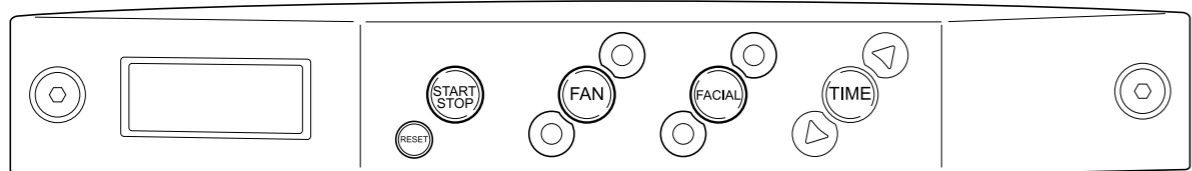
Proper operation is not possible with the canopy open.



Please open this fold-out page.



XS-45



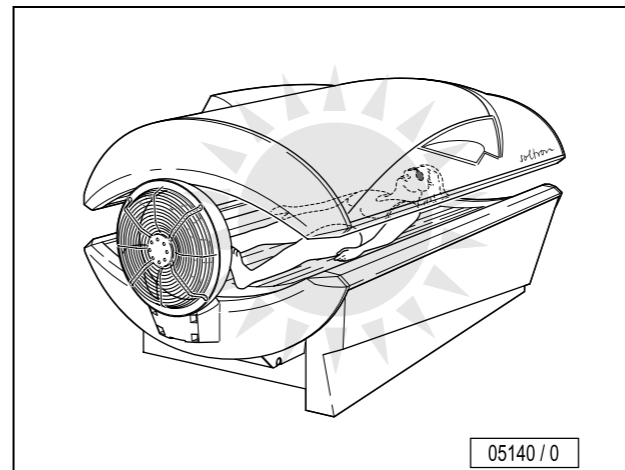
05144 / 0



Tanning

Start of tanning

- To set the time, press button . See page 5 for the recommended tanning time.
- To reset the time, press button , the timer clears to 00:00
- To start the tanning session, press button . The session is counted down in minutes and seconds.
- To reset the time after starting, press button and then , the timer clears to 00:00.



05140 / 0

Preparation time

If a session delay is preprogrammed¹⁾, the display will begin to flash the session time after the button is pressed.

During the session delay you have time to prepare for tanning:

- Remove your clothes and all jewelry.
- Remove make-up and other cosmetics.
- Remove glasses. Contact lenses can be worn under the protective goggles.
- Put on the protective goggles.
- Lie down on the bed surface.
- Close the canopy.



Note:

Depending on presets (see page 48), at one (1) minute before the start of the tanning session, an audible beep will sound. At thirty (30) seconds before the start of the tanning session, another audible beep will sound. At ten (10) seconds the audible beep will sound and continue once each second until the tanning unit lights. Once the tanning unit has started, the session delay will not repeat on subsequent starts (e.g. after interrupting the session).

1. See page 49







The tanning unit is operating when the UV lamps are on and the fans are running.

If the device fails to start up when you have closed the canopy:

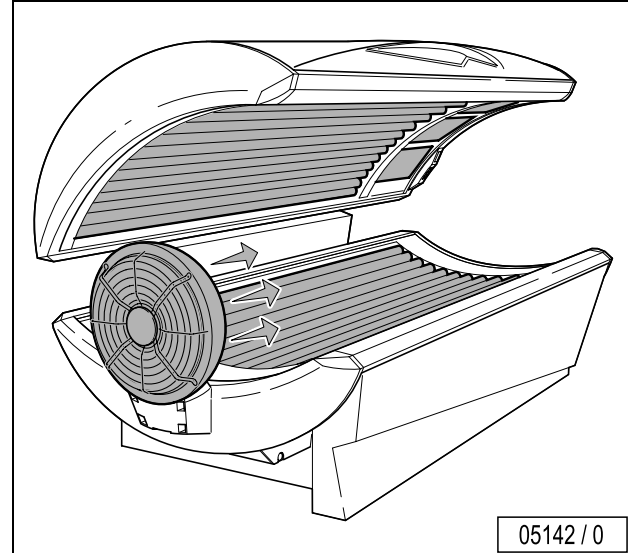
- Press button  to start tanning.

Interrupt or end tanning session

The tanning session ends automatically after the preset time has run down. The internal fan continues to run for approx. three (3) minutes (fan delay, minimum one (1) minute, see page 48) to sufficiently cool the device.

- To interrupt a tanning session, press button  anytime during a session. This will stop the countdown and hold time (depending on presets, see page 52).
- To restart the unit, press button  again.
- To end a tanning session, press button  and then button . The timer clears to read 00:00.

Settings during start-up: XS-45¹⁾

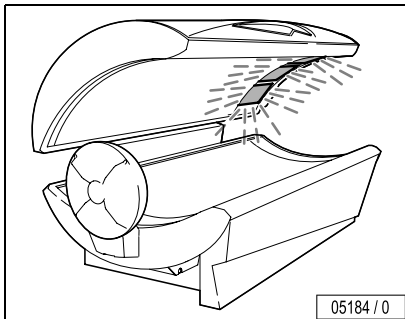


Operation

1) See also Presets, page 46 ff





Regulating the face tanners

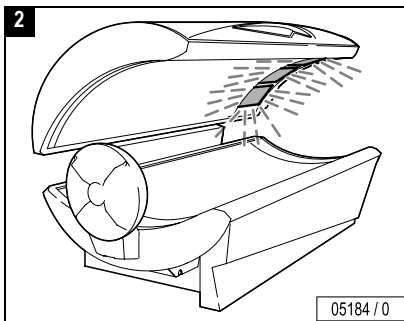
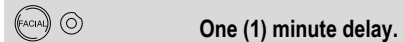
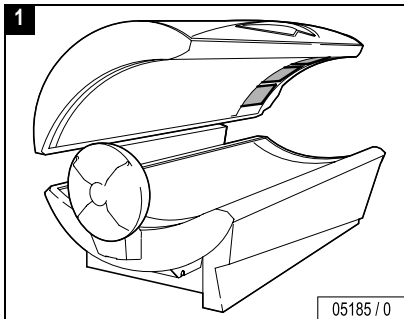


Switching the face tanner OFF:

Press button  .

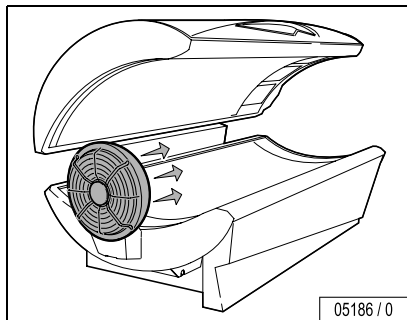
Switching on face tanner again:

Press button  . It takes approx. one (1) minute until the face tanners reach their full output.







Regulating the fan



Switching the fan OFF:

Press button .

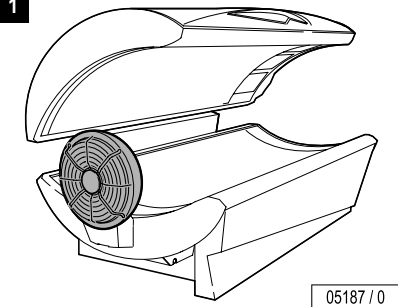
Switching the fan on again:

Press button .

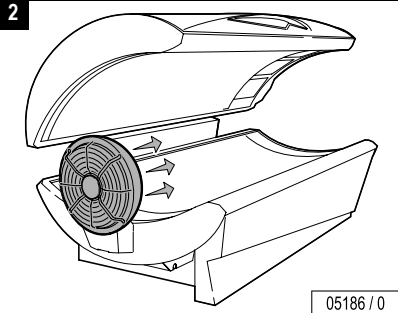


OFF

1




2



Operation



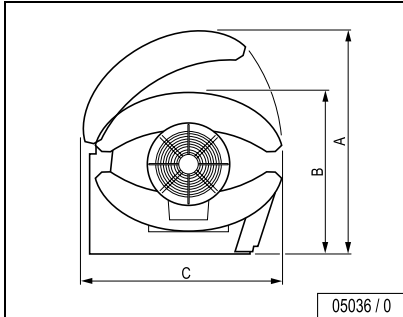
Technical data

Model:	Soltron XS-45 Flirt***
Rated power consumption:	7100 W
Rated voltage:	230 V
Rated frequency:	60 Hz
Rated fusing:	40 amp 1-pole 30 amp 3-pole
Conformity mark:	

Further information will follow.

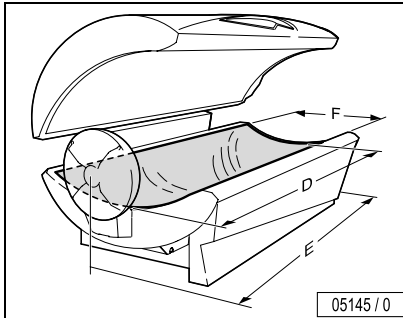


Bed tolerance in room

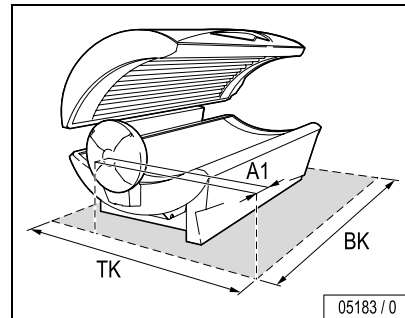


05036 / 0

A	=	52 ¹⁵ / ₁₆ in	1345 mm
B	=	41 ⁵ / ₁₆ in	1049 mm
C	=	46 ¹⁵ / ₁₆ in	1193 mm
D	=	81 ⁹ / ₁₆ in	2071 mm
E	=	90 ¹³ / ₁₆ in	2306 mm
F	=	31 ¹³ / ₁₆ in	808 mm
A1	=	1 ¹⁵ / ₁₆ in	50 mm
BK	=	8 ft/95 in	2400 mm
TK	=	7 ft/83 in	2100 mm
?	=	330 lb	150 kg

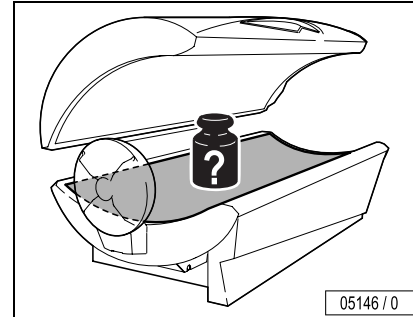


05145 / 0



05183 / 0

Maximum permissible load



05146 / 0



WARNING!

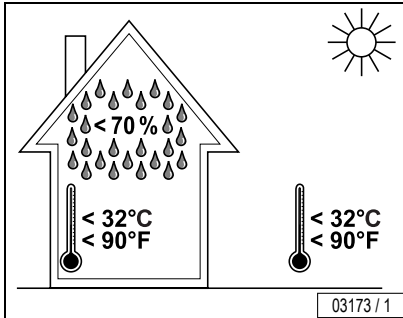
Warning – possible breakage of the acrylic panel!

Severe cuts from glass and burns from hot lamps may result.

- Only one adult person is allowed at the same time.
- People with more than 300 lbs/150 kg must not use the device at all.



Maximum room temperature / Humidity



Technical
Data



Maintenance instructions

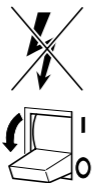
De-energize device and secure against being switched on again



DANGER!

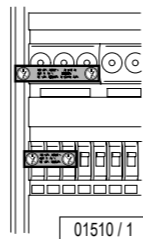
Extreme danger!

If work is to be performed on the devices, they must be de-energized. That means that all power must be switched off. Switching off the device alone is insufficient, as certain points may remain energized. Therefore, switch off breakers before performing any work.



04049 / 0

- A strip of adhesive tape with the wording "DANGER do not switch ON!" may be applied over the actuation levers of circuit breakers which cannot be removed.



01510 / 1



DANGER!

Extreme danger!

Severe accidents can occur if the device is mistakenly switched on again. Immediately after de-energizing, secure all switches or fuses used for de-energizing against being switched on again.

- Lock the fuse box with a padlock.

A prohibition sign with the text: "Work in progress!"

- "Place:"
 - "Sign may only be removed by:"
- must always be securely mounted immediately.



01511 / 1



DANGER!

Extreme danger!

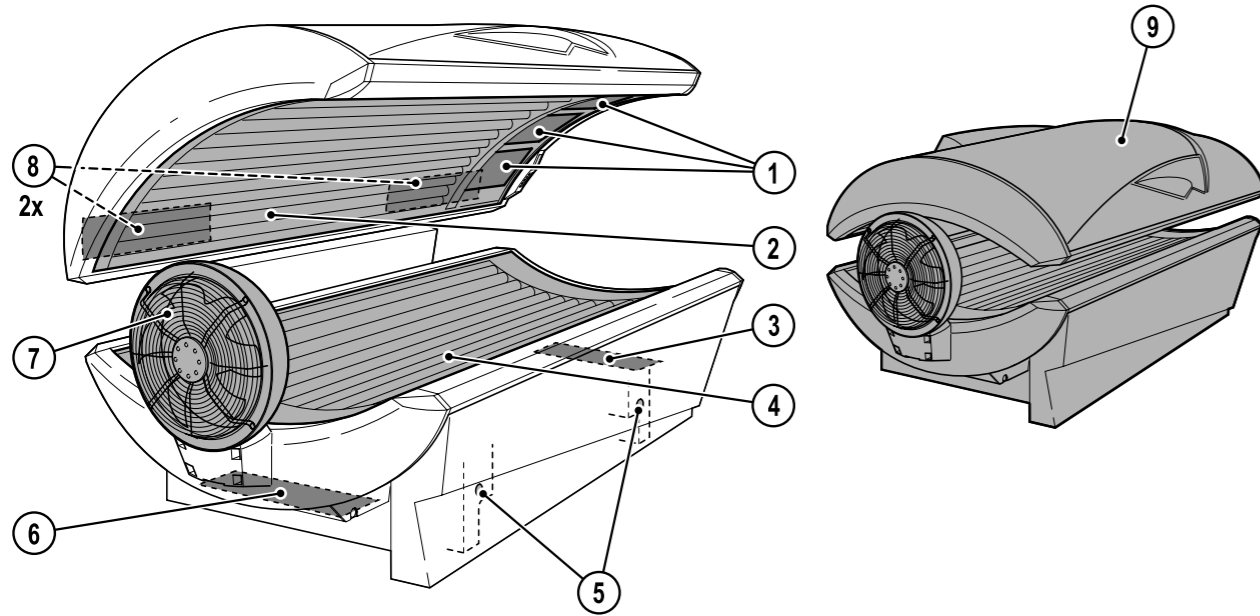
Prohibition signs must not be hung on or touch live parts.



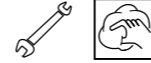
Please open this fold-out page.



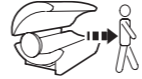
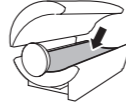

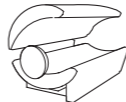
XS-45



05167 / 0



Scheduled cleaning

	<p>④</p> 	<p>i Note: Clean after every use.</p>
	<p>① - ⑨</p> 	<p>i Note: Clean if necessary!</p>




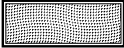
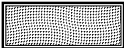


WARNING – risk of eye irritation!

Protective goggles may only be cleaned with an approved disinfectant.

WARNING!



Scheduled cleaning – filters				
 /50 h	⑧	 2 x	55567	44
	③ , ⑥	 2 x	55567	43





Scheduled replacement – UV lamps, starters
XS-45 Flirt* Turbo Power**



500 h		b) 3 x	JK/RUSA 400 W	12875	39
		c) 20 x	Soltron VHP™ 20 120W xs super power	12813	35
		d) 20 x	Soltron VHP™ 20 160W xs turbo power	12814	37
1,000 h		c) 40 x	S12	10002	35, 37





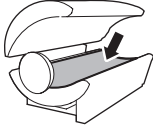

Note:

The UV high-pressure lamps used, JK/RUSA 400 W (face tanner), can be operated with different wattages.



UV low-pressure lamps: Clean with plain water (damp cloth).



Scheduled replacement – acrylic sunbed and filter panels			
1,500 h	④ 	801480	35
3,000 h	① 	52093	39



Filter panels: Clean with plain water (damp cloth).



Relamping / maintenance instructions

It is imperative that you, the owner and/or operator, check all components for any signs of wear which may occur through normal use.

Observe the cleaning and maintenance schedule specified in the maintenance table on Page 31 to 33.

Only replace UV low-pressure lamps with the original lamp type or with compatible lamps.

Only replace UV high-pressure lamps with the original lamp type or with compatible lamps.

Should you require any assistance or need additional information, please call Global Service Division at 800 445 0624, Monday through Friday 7:00 a.m. - 7:00 p.m. CT.



CAUTION – Damage due to improper maintenance!

Improper maintenance can cause the device to be damaged or to become unusable.

- Always comply with the specified maintenance intervals.
- Follow the cleaning instructions.
- If the maintenance intervals for the UV lamps are exceeded or incompatible UV lamps are installed, the share of harmful UVB radiation may increase. Sunburn and other skin damage may result.



Danger of burns from hot lamps and device parts!

If the tanning device was operated before being switched off and opened, lamps and housing parts may be hot.

WARNING!



- Before replacing lamps or other spare parts, wait until lamps and metal parts of the device have cooled down sufficiently.

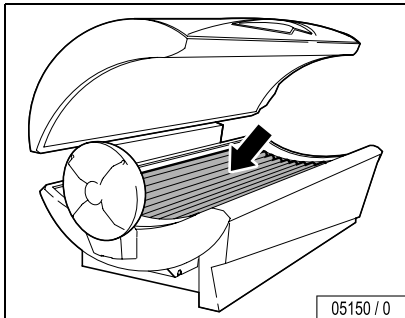


Danger of pinching!

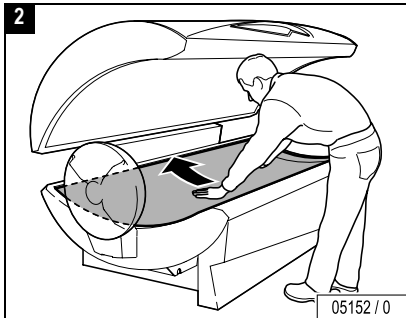
When opening and closing the tray, panels and covers, you can pinch your fingers.



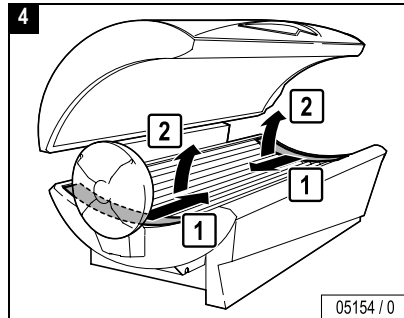
Cleaning/replacing UV low-pressure lamps, sunbed base



05150 / 0



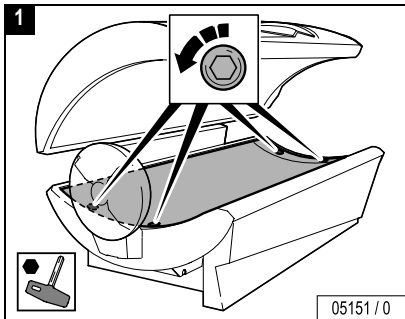
05152 / 0



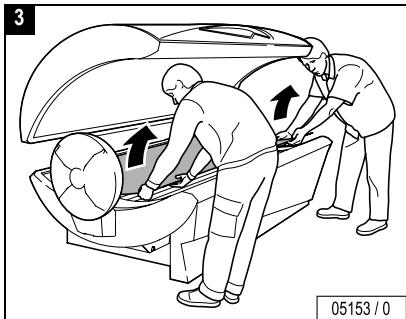
05154 / 0



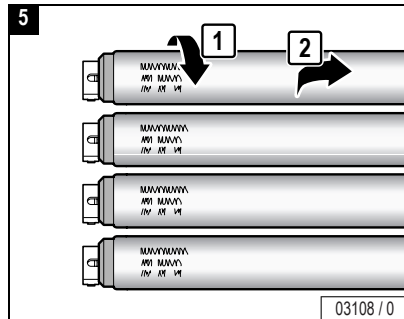
Power Off!



05151 / 0



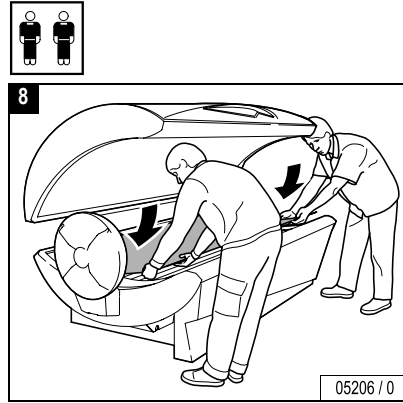
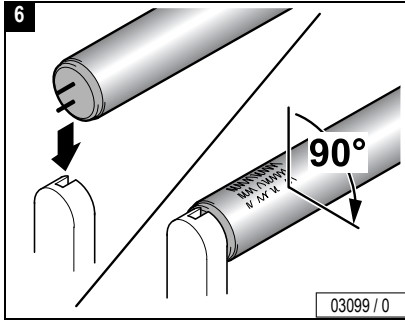
05153 / 0



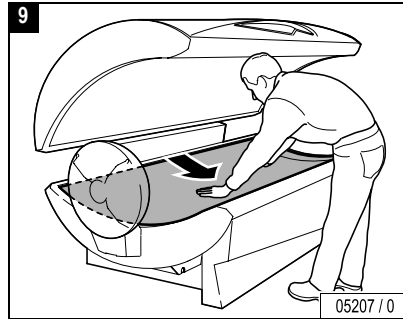
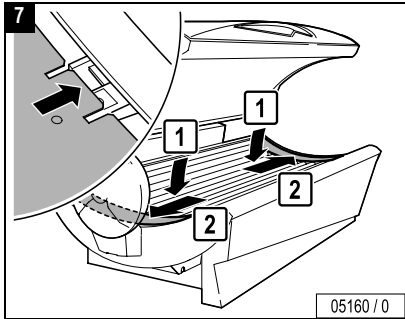
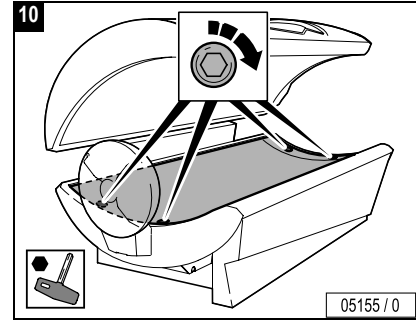
03108 / 0



Maintenance

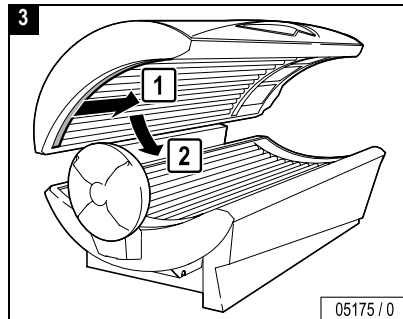
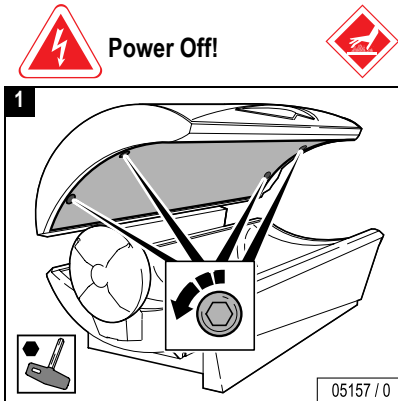
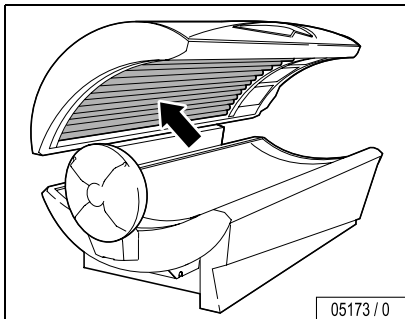



Close:

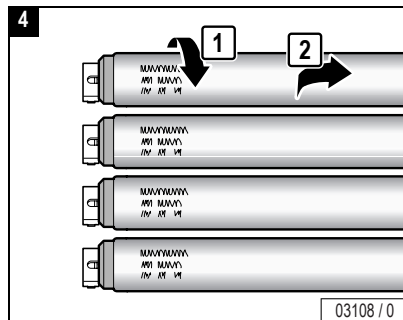
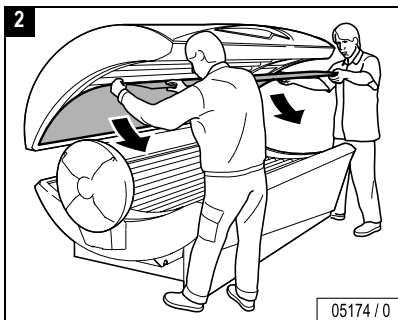




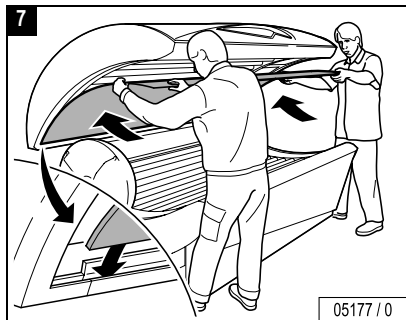
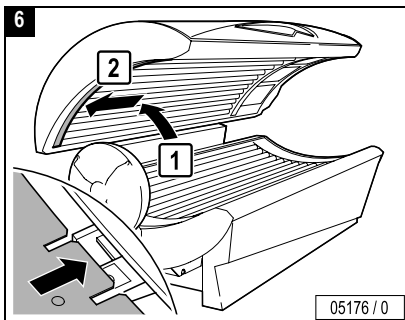
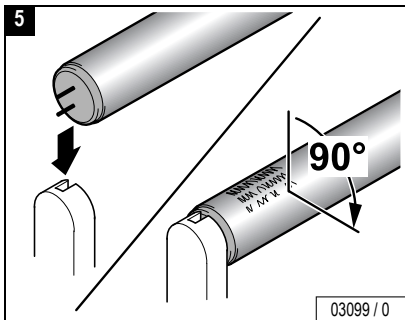
Cleaning/replacing UV low-pressure lamps, canopy



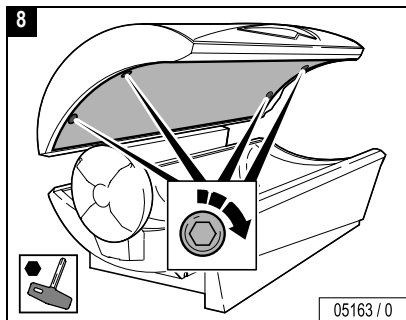
 **Danger of injury from the canopy panel!**
 The canopy panel is heavy and falls down by itself after unscrewing the four (4) screws.
WARNING!
 - Support canopy panel.



Maintenance 

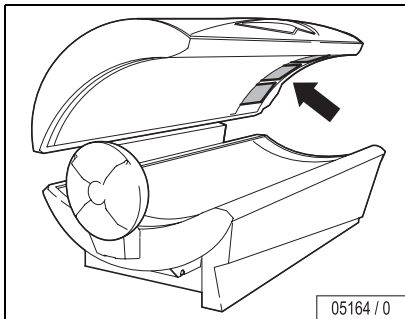


Close:





Cleaning/replacing UV high-pressure lamps, canopy



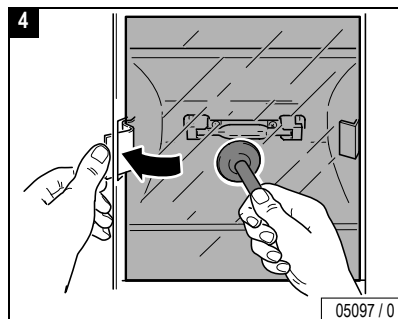
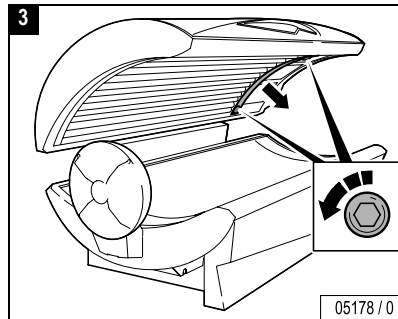
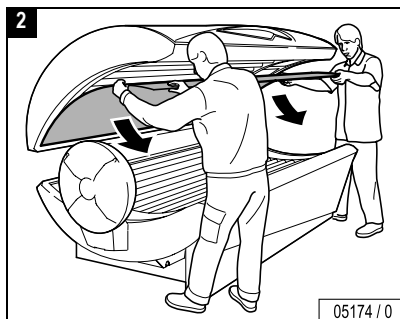
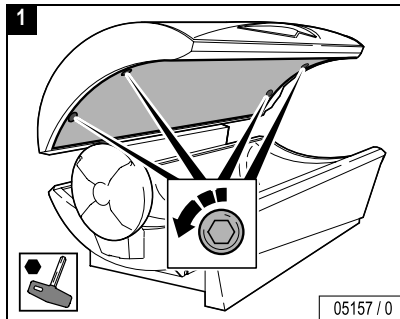
Danger of injury from the canopy panel!

The canopy panel is heavy and falls down by itself after unscrewing the four (4) screws.

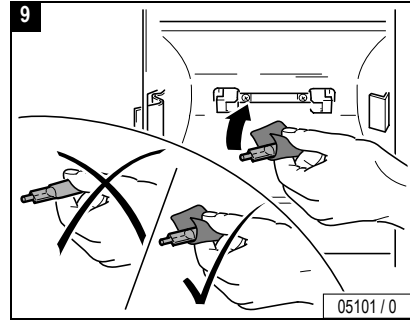
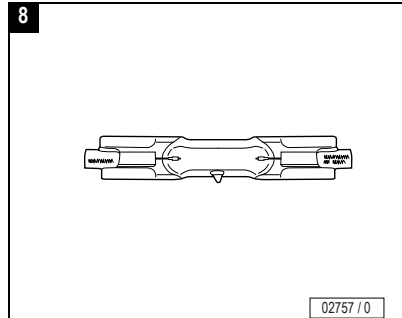
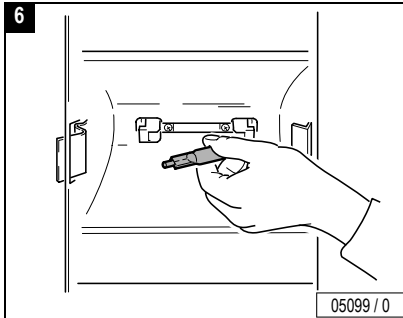
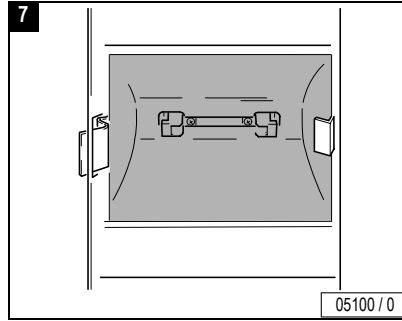
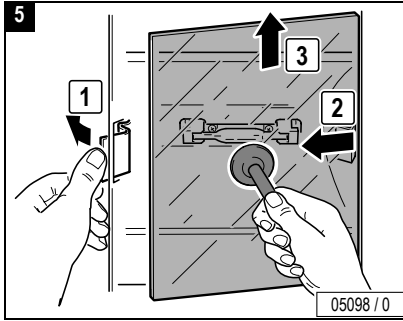
- Support canopy panel.



Power Off!



Maintenance



CAUTION!

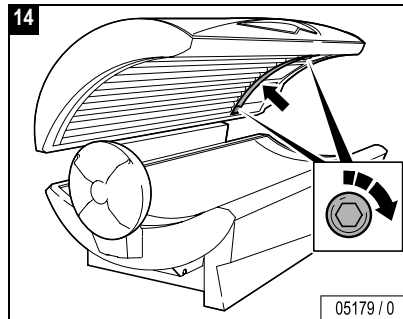
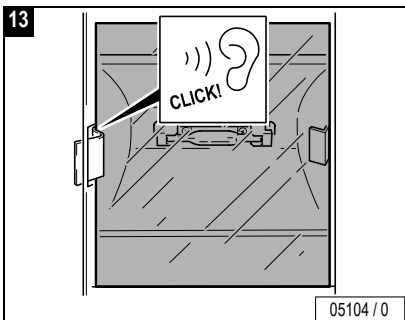
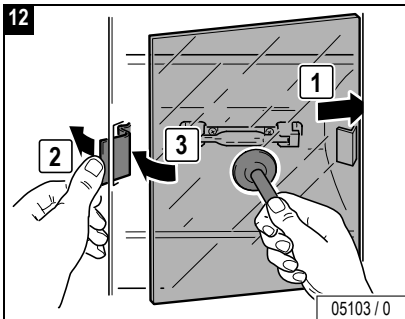
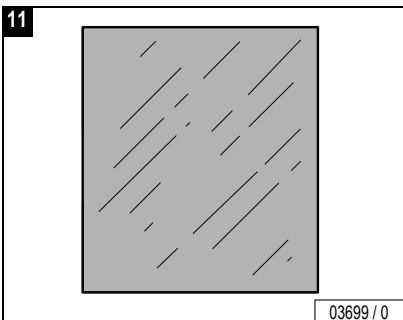
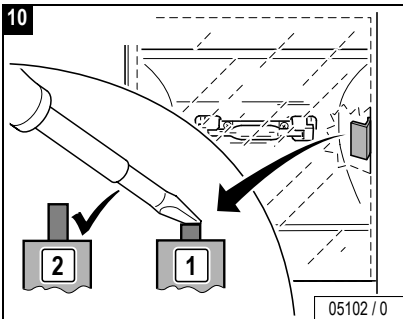
Do not touch the glass bulbs of the UV high-pressure lamps with your bare fingers! Remove soiling thoroughly.

- Only touch new UV high-pressure lamp with a cloth – see Figure 9.

...

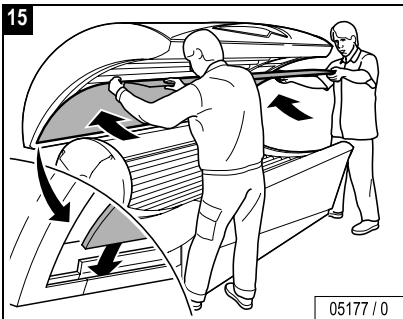


– Check safety switch:

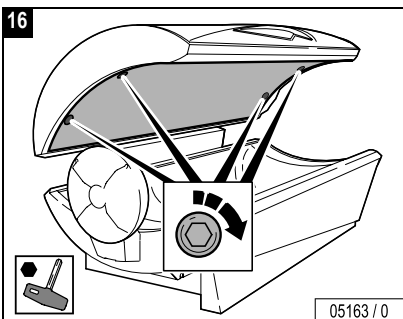



Maintenance

...



Close:

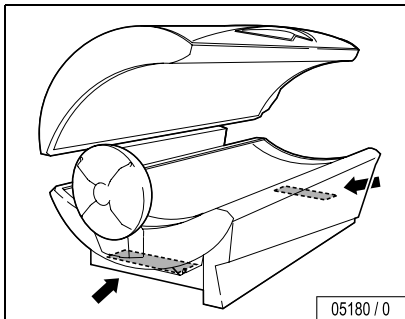


Maintenance 

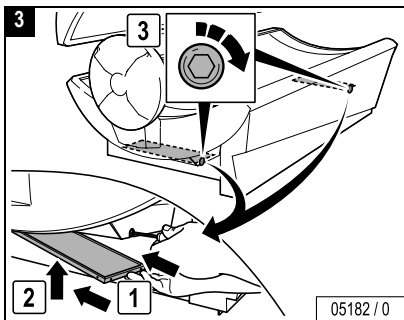
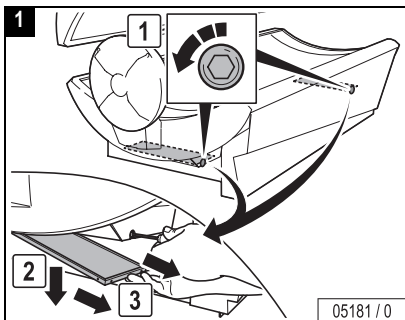
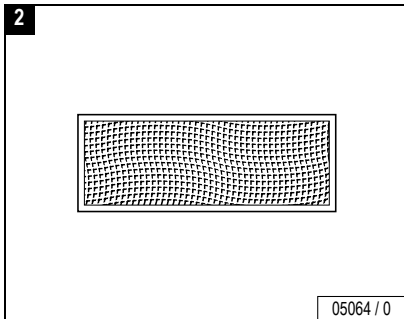




Cleaning filters, sunbed base

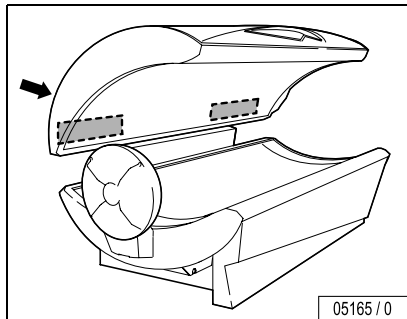


Hand-wipe lightly, dry or with water, or use a vacuum cleaner.

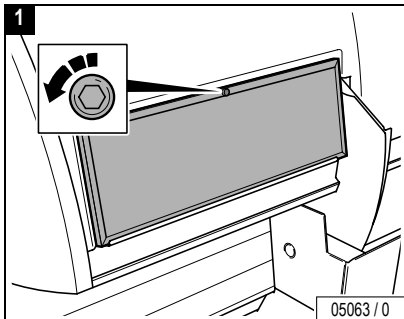




Cleaning filters, canopy



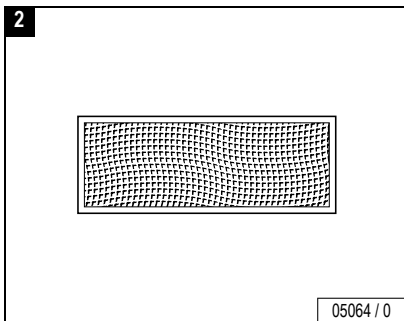
05165 / 0



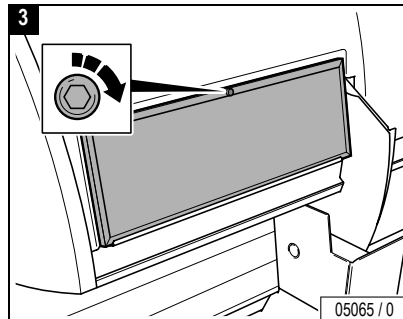
05063 / 0



Hand-wipe lightly, dry or with water,
or use a vacuum cleaner.



05064 / 0



05065 / 0



Caution – the canopy is easily damaged

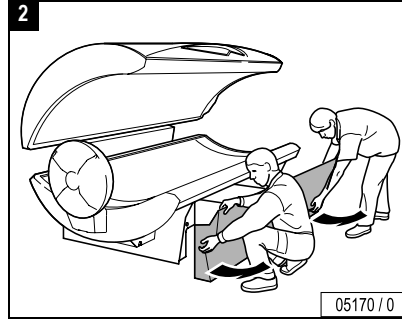
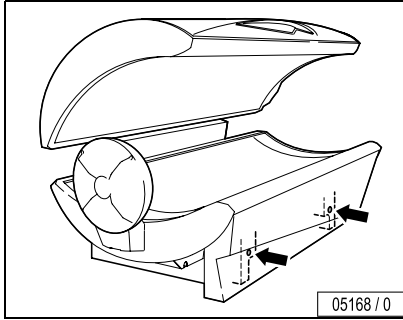
The plastic trim on the canopy can break.

- Do not use the canopy as a support.





Adjusting lifting mechanism for canopy



See Fig. 3:

- Turn in direction 1: canopy easier to open
- Turn in direction 2: canopy more difficult to open.

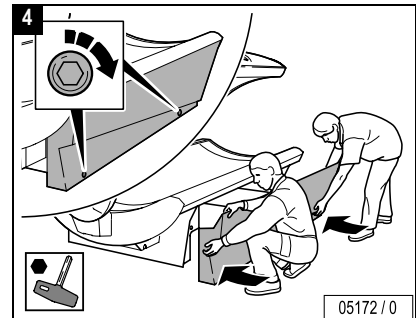
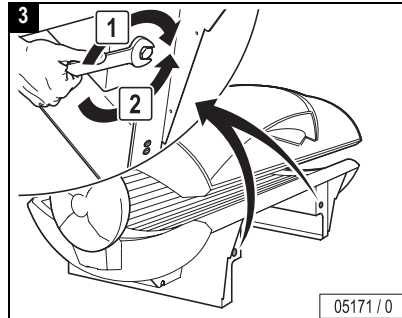
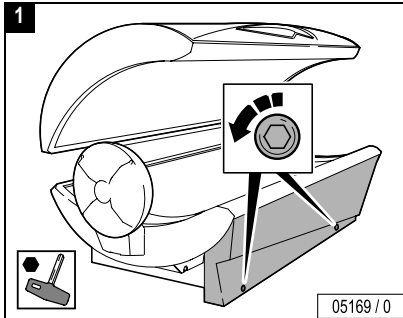


Caution – possible damage!

Both springs (head and foot end) must be tensioned or relaxed evenly.



Power Off!



Maintenance



Presets

To change parameters

To enter the System's data bank, monitor operations and verify the vital functions concerning your unit, use the following step-by-step instructions.

Your tanning unit can easily be adapted for front desk and/or remote operation. Contact Global Service Division (see page 3) or your factory representative for more information on the Intellitran series of bed controllers.


To enter the system:

- See password clearance (**P01**) on page 47.

To exit the system:

- Press Stop key until you reach 00:00.
- Start again with password clearance (**P01**).

To view the current parameter (if display is not flashing):

- Press  key. Parameter will be immediately displayed.

If the display is flashing, you cannot check parameters!



Note:

Before changing any parameters the tanning unit must be disconnected from the timer network for at least thirty (30) seconds before the keys will unlock. Be sure to reconnect the timer network after completing any programming. This keylock configuration can be changed through parameter 25.

Presets

Standard settings

P ...	Setting
P01 – password	Level 1: 0010 Level 2: 0102
P02 – alarm	Enabled
P03 – fan delay	1 minute
P04 – session delay	No session delay
P05 – station address	0000
P06 – lamp hours	0000
P07 – A/C voltage phase A	Read only (no setting possible)
P08 – A/C voltage phase B	Read only (no setting possible)
P09 – average voltage phase A	Read only (no setting possible)
P10 – average voltage phase B	Read only (no setting possible)
P11 – internal operating temperature	Read only (no setting possible)
P12 – ambient or room temperature	Read only (no setting possible)
P13 – average operating temperature	Read only (no setting possible)
P14 – average ambient or room temp.	Read only (no setting possible)
P15 – Clean Room Feature	Disabled
P16 – Econometer	Read only (no setting possible)
P17 – session cost per minute	Unit KwH Draw x National Average / 60 minutes
P18 – session counter	Read only (no setting possible)

P19 – total hour accumulator	Read only (no setting possible)
P20-23	Reserved for factory use
P24 – continuous countdown mode	Disabled
P25 – keylock configuration	0003
P26 – TPI mode toggle	Disabled
P27 – Timer Protocol Option	0000 = Intellitan Protocol
P28 – Total Operating Cost Accumulator	0000 (readable and resettable)
P30 – facial control	Enabled
P32 – facial lamp hour accumulator	0000

P01 – Enter Password Clearance

- Press ▲ and ▼ at the same time (button „Time“) and hold in for one (1) second, then release. The display will change from 00:00 to 0000.
- Press Reset once and release.
The four (4) zeros (0000) will now flash.
- Press ▲ and hold down until the timer display scrolls up to 0010 (for level 1 or view password) or 0102 (for level 2 or edit password), then release key.
- Now press Reset once again.
The display will stop flashing and read 0001 if level 1 was selected or 0002 if level 2 was selected.




Presets

System is now in Parameter Mode. To edit the parameters, be sure to use the above instructions and use the level 2 (EDIT) password 0102 instead of the level 1 (0010). Keep all passwords in a safe place to prevent misuse.





Note:

Parameters 6 and 32 are only editable at password level 1.

- Now press  once to go to **Parameter 02 (P02)**.



Note:


To reach the desired parameter press  button. If you go past a parameter you may press  to return to the desired parameter. Each time a button is pressed the timer will display PXX (XX represents numbers) representing the parameter reached.

In View mode (level 1) the display will show alternately the number and the value of the current parameter.



P02 – Alarm Enable/Disable Function

Parameter 2 is the chime mechanism that provides an audible 'beep' sound when the keys are pressed and to indicate the various operations occurring. The audible beep can be enabled or disabled.

When parameter 02 is shown, the display will read 0001, the alarm is enabled.

- Press  to go to P03 without changing the setting.


To disable the alarm:

- Press Reset once and then release it. The display will begin to flash.
- Press  and hold it down, scrolling down to 0000.
- Now press Reset once again.
The chime is now deactivated. To reactivate the chime, change parameter 02 back to 0001 using the instructions provided above.
- Press  to go to **Parameter 03 (P03)**.




P03 – Fan Delay

The fan delay maintains proper cooling of the tanning unit by continuing to provide power to the cooling fans for a programmable amount of time after the end of a tanning session.

When parameter 03 is shown, the display will read 1.0 representing one (1) minute fan delay.

- Press  to go to P04 without changing the setting.

To change the fan delay:


- Press Reset once and then release it. The display will begin to flash.
- Press  or  to reach the desired setting.
Time is displayed from 1.0 to 5.0, with decimal representing tenths of a minute. For example: 1.5 equals 1 minute, 30 seconds.
- Press Reset once then release it.
The fan delay is now set.
- Press  to go to **Parameter 04 (P04)**.

Presets




P04 – Session Delay

The session delay allows a programmable amount of time at the beginning of a session to get ready for the tanning session. The tanning session time shown on the timer flashes during the session delay.

When parameter 04 is shown, the display will read 0.0 for no session delay.

- Press  to go to P05 without changing the setting.


To enable the session delay:

- Press Reset once and then release it. The display will begin to flash.
- Press  or  to reach the desired setting.
Time is displayed from 0.0 to 10.0, with decimal representing tenths of a minute. For example: 2.5 equals 2 minutes, 30 seconds.
- Press Reset once then release it.
The session delay is now set.
- Press  to go to **Parameter 05 (P05)**.




P05 – Station Address

The station address allows the tanning unit to be identified for interface with the CCS series controllers, the Intellitan Single Station Console, or the Intellitan Protocol Interface (PI) for your computer system.

When parameter 05 is shown, the display will read 0000 for station address zero.

- Press  to go to P06 without changing the setting.


To change the station address:

- Press Reset once and then release it. The display will begin to flash.
- Press  or  to reach the desired address setting.
- Press Reset once then release it.
The station address is now set.
- Press  to go to **Parameter 06 (P06)**.



P06 – Lamp Hour Accumulation Counter (On Current Lamp Bank)

The lamp hour accumulation counter keeps track of the number of hours on the current lamp bank. This is a resettable parameter that should be reset to 0 when the lamps are changed. When current lamp hour accumulation reaches 1000, a beep will chime each time the unit is turned on, indicating that a lamp change is necessary. Chime will not sound if it has been turned off through parameter 02. Parameters 6 and 32 are only editable at password level 1.

When parameter 06 is shown, the display will read from 0000 to 9999.

- Press  to go to P07 without changing the setting.

To clear the lamp hour accumulation counter:

- Press Reset once and then release it. The display will begin to flash.
- Press and hold  until 0000 is displayed.
- Press Reset once then release it.
Lamp hour accumulation is now cleared.
- Press  to go to **Parameter 07 (P07)**.



Presets

P07 – Measurement of the A/C Voltage on Phase A

Parameter 07 is the measurement of the A/C voltage on phase A.

The reading is immediately displayed, the display will read from 0000 to 0200 Volts, with 0120 as the nominal reading.

- Press  to go to **Parameter 08 (P08)**.

P08 – Measurement of the A/C Voltage on Phase B

Parameter 08 is the measurement of the A/C voltage on phase B.

The reading is immediately displayed, the display will read from 0000 to 0200 Volts, with 0120 as the nominal reading

- Press  to go to **Parameter 09 (P09)**.

P09 – Measurement of the Average A/C Voltage on Phase A

Parameter 09 is the measurement of the average A/C voltage on phase A for the previous session, or current session if unit is energized.

The reading is immediately displayed.

- Press  to go to **Parameter 10 (P10)**.

P10 – Measurement of the Average A/C Voltage on Phase B

Parameter 10 is the measurement of the average A/C voltage on phase B for the previous session, or current session if unit is energized.


The reading is immediately displayed.

- Press  to go to **Parameter 11 (P11)**.

P11 – Measurement of the Internal Operating Temperature

Parameter 11 is the measurement of the unit's internal operating temperature.


The reading is immediately displayed. Measurement is in Fahrenheit.

- Press  to go to **Parameter 12 (P12)**.

P12 – Measurement of the Ambient or Room Temperature

Parameter 12 is the measurement of the unit's ambient or room temperature.


The reading is immediately displayed. Measurement is in Fahrenheit.

- Press  to go to **Parameter 13 (P13)**.

P13 – Measurement of the Average Operating Temperature

Parameter 13 is the measurement of the unit's average operating temperature during the previous session or current session if the unit is energized.

The reading is immediately displayed. Measurement is in Fahrenheit.


- Press  to go to **Parameter 14 (P14)**.

P14 – Measurement of the Average Ambient or Room Temperature

Parameter 14 is the measurement of the unit's average ambient or room temperature during the previous session or current session if the unit is energized.

Presets


The reading is immediately displayed. Measurement is in Fahrenheit.

- Press  to go to **Parameter 15 (P15)**.



P15 – Clean Room Feature

When on, the clean room feature will show all dashes (----) on the timer display at the end of each tanning session to show that the tanning unit needs to be cleaned. In network mode, no new time can be placed on the timer when the clean room indicator is displayed. To reset the clean room feature from the room, indicating that the room has been cleaned, press the Reset button twice in rapid succession.

When parameter 15 is shown, the display will read 0000 for clean room feature off.

- Press  to go to P16 without changing the setting.


To enable the clean room feature:

- Press Reset once and then release it. The display will begin to flash.
- Press  once to display 0001.
- Press Reset once then release it.
The clean room feature is now enabled.
To disable the clean room feature change parameter 15 back to 0000.
- Press  to go to **Parameter 16 (P16)**.

P16 – Econometer


The econometer measures the electrical cost to power units for the previous session or the current session if the unit is energized. The cost is derived from the session cost per minute entered in P17.

The reading is immediately displayed. Measurement is in cents and tenths of a cent.




- Press  to go to **Parameter 17 (P17)**.

P17 – Cost per Minute

This figure is automatically entered into the tanning unit's data bank in accordance with the National Average of 7.5 cents per kilowatt hour. The formula used is $\text{Unit kWh Draw} \times \text{National Average} / 60 \text{ minutes} = \text{cost per minute}$.

- Press  to go to P18 without changing the setting.

To change the cost per minute:

- Press Reset once and then release it. The display will begin to flash.
- Press  or  to reach the desired setting.
Measurement in cents and tenths of a cent. For example: A reading of .4 would equal four tenths of one cent.
- Press Reset once then release it.
The cost per minute is now set.
- Press  to go to **Parameter 18 (P18)**.



P18 – Session Counter

The session counter displays the total number of times a session has been started since first day of operation. The session counter counts from 0000 to 9999 then rolls over. The session counter cannot be adjusted or reset.

The reading is immediately displayed.

- Press  to go to **Parameter 19 (P19)**.

P19 – Total Hour Accumulator

The total hour accumulator displays the total numbers hours on the unit since first day of operation. The accumulator counts from 0000 to 9999 then rolls over. The total hour accumulator cannot be adjusted or reset.


The reading is immediately displayed.

- Press  to go to **Parameter 24 (P24)**.



P24 – Continuous Countdown Mode

The continuous countdown mode allows the studio operator to maintain a tighter schedule by disabling the pause function of the timer thus allowing the tanning time to continue to count down even if the lamps are turned off by pressing Stop key.

When parameter 24 is shown, the display will read 0000 continuous countdown mode off.

- Press  to go to P25 without changing the setting.

To enable continuous countdown mode:

- Press Reset once and then release it. The display will begin to flash.
- Press  until 0001 is displayed.
- Press Reset once then release it.
The continuous countdown mode is now enabled. To disable this function change parameter 24 back to 0000.
- Press  to go to **Parameter 25 (P25)**.

P25 – Keylock Configuration

The keylock configuration option allows the studio operator to maintain a higher sense of security by locking out the front rail keys in several specified intervals while the timer is connected to a network.

The keylock intervals are:

- 0 – Lock keys and release only when power cycled.
- 1 – Lock keys and release only when parameter is changed to an option other than 01.
- 2 – Lock keys and release only after the network cable has been removed for 2 minutes.
- 3 – Lock keys and release only after the network cable has been removed for 30 seconds.




CAUTION!



Do not set parameter 25 to 01 unless you have a CCS-IV or other control device!

You will be unable to change this parameter or unlock the front rail keys without the use of CCS-IV or other control device. The Intellitran Protocol Interface (IPI) does **not** edit this or any other parameter.

When parameter 25 is shown, the display will read 0003 for 30 seconds.

- Press  to go to P26 without changing the setting.

To change the keylock configuration:


- Press Reset once and then release it. The display will begin to flash.
- Press  until the desired option (00 to 03) is displayed.
- Press Reset once then release it.
- Next cycle the power to the timer and tanning device off and back on. The keylock configuration is now saved.
- Press  to go to **Parameter 26 (P26)**.

P26 – Third Party Interface



Parameter 26 is the Third Party Interface (TPI) Mode toggle. The timer has a TPI jack built in to the timer itself. This jack replaces the need for a second or additional interface when using other timer systems. The TPI jack is located next to the two network jacks on the top of the tanning unit (under the hinge cover). It is the larger of the three jacks and comes with a unused modular plug in the jack. When using the Intellitran Plus timer in

TPI mode the Intellitran Plus looks for control voltage (5-30V) on the outside two wires of the modular cable plugged into the TPI port. When this voltage is seen, the maximum tanning time is sent to the timer and the tanning unit is started. Any session delay should be programmed on the third party timer and the Intellitran session delay should be set to 0. The front rail keys are locked in TPI mode.

When parameter 26 is shown, the display will read 0000 for disabled.

- Press  to go to 27 without changing the setting.

To enable TPI mode:

- Press Reset once and then release it. The display will begin to flash.
- Press  until 0001 is displayed.
- Press Reset once then release it.
- Next cycle the power to the timer and tanning device off and back on. The TPI mode is now enabled. To disable this function change parameter 26 back to 0000.
- Press  to go to **Parameter 27 (P27)**.

P27 – Timer Protocol Option

The timer protocol option allows the studio operator to change timer network protocols from the Intellitran protocol to the T-Max¹ protocol for

1. T-Max is a registered trademark of Salon Systems, Inc./Applied Digital, Inc. Branson, MO.

Presets

use with the Applied Digital T-Max Manager. For additional information please consult the T-Max documentation.

The options are:

0 – Intellitan remote.

1 – T-Max protocol.




CAUTION!


Do not set parameter 27 to 0001 unless you really use the Applied Digital T-Max Manager!

You have to use the parameter edit instructions in the T-Max documentation to change parameter 27 back to Intellitan protocol. You can **not** use a CCS-1 or IPI with a timer using T-Max Protocol.


When parameter 25 is shown, the display will read 0000 for Intellitan protocol.

– Press  to go to P28 without changing the setting.

To change to T-Max Protocol:


- Press Reset once and then release it. The display will begin to flash.
- Press  until 0001 is displayed.
- Press Reset once then release it.
- Next cycle the power to the timer and tanning device off and back on. The T-Max Protocol is now on.

To turn off this function change parameter 27 back to 0000 using the parameter edit instructions in the T-Max documentation.



– Press  to go to **Parameter 28 (P28)**.

P28 – Total Operating Cost Accumulator

This parameter tracks total operating costs of the tanning unit based upon parameter 17, session cost per minute. This parameter is displayed in dollars and tenths and rolls over at \$999.9. The Total Operating Cost Accumulator can be reset to 0 at anytime in order to track or determine daily, weekly, monthly, quarterly, or annual operating costs.

– Press  to go to P30 without changing the setting.

To reset the total operating cost:


- Press Reset once and then release it. The display will begin to flash.
- Press  until 0000 is displayed.
- Press Reset once then release it.
The total operating cost is now reset to 0 and will begin accumulating at the next session.
- Press  to go to **Parameter 30 (P30)**.

P30 – Facial Control (not XS-2/35)



When the facial control parameter is set “on”, the facial will turn on each time a tanning session is started. If the facial control parameter is set to “off”, the facial will remain off each time a tanning session is started. When the facial control parameter is set to “off”, it allows you to offer tanning sessions without the facial. Also in the “off” position the customer cannot turn the facial “on” from within the tanning room.

Presets

When parameter 30 is started, the display will read 0001 for “on”.

- Press  to go to P32 without changing the setting.

To turn the facial control off:


- Press Reset once and then release it. The display will begin to flash.
- Press  until 0000 is displayed.
- Press Reset once then release it.
Facial control is now turned off.
- Press  to go to **Parameter 32 (P32)**.

P32 – Facial Lamp Hour Accumulator (not XS-2/35)

This parameter tracks the number of hours on the current lamp bank. This parameter is resettable and should be reset to zero when the facial lamps are replaced. When the current lamp hour accumulation reaches 1000, a beep will chime each time the unit is turned on, indicating that a lamp change is necessary. The chime will not sound if it has been disabled through parameter 02. Parameter 06 and 32 are the only editable parameters at password level one.

- Press Start/Stop until the display reads 00:00 to exit parameter mode.

To clear the facial lamp hour accumulator:

- Press Reset once and then release it. The display will begin to flash.
- Press  until 0000 is displayed.
- Press Reset once then release it.
Facial lamp hour accumulator is now reset to 0 and will begin accu-

mulating at the next session.

Any remaining parameters are for future expansion and are not used at this time.

To exit the system

- Press Start/Stop until the display reads 00:00 to exit parameter mode.





Troubleshooting

Problem:	Cause/Solution:	Page
The equipment does not work.	Maximum tanning time has been exceeded.	
	A safety switch has responded: <ul style="list-style-type: none">• Have the filter panels been closed?	39
	The equipment is overheating: <ul style="list-style-type: none">• Lower section: Check the filter and clean or replace as necessary.• Canopy: Check the filter and clean or replace as necessary.• Leave the equipment to cool down and then restart.	43 44
Some of the lights are not working.	Lamp or starter is defective. <ul style="list-style-type: none">• Replace the lamp or starter.	35, 37

If the equipment still does not work or if another problem arises, please contact the customer service division at:



Global Service Division
#1 Walter Kratz Drive
Jonesboro, Arkansas 72401

☎ 800 445 0624



Index

A

Acrylic glass, cleaning 17
Alarm function 48

B

Bed tolerance in room 27

C

Care 16
Clean room feature 51
Cleaning 17
Cleaning schedule 30
Conformity mark 26
Cost per minute 51
Counter for lamp hours 49

D

De-energize device 29
Description of tanning device 22
Dimensions 27, 90
Disinfection 17
Disposal of lamps 18

E

Enter the system 46
Environmental protection 18
Exit the system 46

F

Face tanner
 maintenance 39
 operation 24
Facial control 54
Fan delay 48
Fan, operation 25
Filter panels, maintenance schedule 33
Filters in canopy, cleaning 44
Filters in sunbed base, cleaning 43
Frequency 26
Fusing 26

G

Global Service Division, address 3
Guidelines 15

H

How to use the sunbed 22, 23
Humidity 27

I

Intended use 10

K

Keylock configuration 52

L

Lamps, disposal 18
Lifting mechanism, canopy 45

M

Maintenance and care 16
Maintenance schedule 31
Maintenance, overview 30
Maintenance, safety information 34

O

Operator commitments 10
Overview, operating elements 22

P

Parameter, view current parameters 46
Password clearance 47
Permissible load 27
Plastic surfaces 17

Index

Power, switching off.....	29	T	
Preparation time	22	Tanning	22, 23
Presets.....	46	Tanning instructions.....	19
Proper use	10	Technical data.....	26
Protective goggles	22	TPI mode.....	53
R		Troubleshooting	56
Relamping.....	34	U	
Replacing UV high-pressure lamps in canopy	39	UV high-pressure lamps, in canopy	39
Replacing UV low-pressure lamps in canopy	37	UV lamps, maintenance schedule.....	32
Room temperature.....	27	UV low-pressure lamps	
S		Replacing, in canopy.....	37
Safety information, maintenance	34	Replacing, in sunbed base.....	35
Scheduled cleaning	30	V	
Scheduled maintenance	31	Voltage.....	26
Session counter	52		
Session delay	49		
Settings during start-up.....	23		
Skin types	4		
Skin, tips for tanning	19		
Spare parts	16		
Starting tanning.....	22		

Warranty

Soltron – Limited Warranty

Soltron warrants its products to be free from defects in materials and workmanship under intended normal use as described in the unit's Operation and Instruction Manual, for a period of one (1) year from date of sale.

This Limited Warranty applies only to the original purchaser of the equipment through Soltron or its authorized dealer or distributor, and is not transferable.

Soltron obligations under this warranty are limited to repair or replacement of any defective part without charge for that part to the original purchaser, with the following exceptions:

- A Fluorescent lamps are warranted against defects for a period of thirty (30) days from date of sale.
- B Only parts obtained through Soltron, its authorized dealers or distributors may be used. Transportation costs for parts shipped to the consumer and the return of defective parts to Soltron are not included.
- C Labor will be furnished without charge for ninety (90) days from date of purchase only. All labor and related charges must be authorized by Soltron prior to start of repairs, and must coincide with Soltron established rates and time allotment policy.
- D Acrylic: Refer to Manufacturer's Acrylic Warranty Policy.

It is imperative that the original customer completes and returns the enclosed warranty card within 10 days after purchase to insure valid registration and coverage for potential claims.

If the warranty card is not registered, proof of purchase from Soltron or its authorized dealer or distributor will be required prior to any consideration on warranty claims. This could result in service delays.

This warranty is extended to the individual or legal entity, whose name appears on the warranty registration card filed with Soltron, or whose name appears on the original sale document and may not be transferred to any other individual or legal entity.

This warranty does not apply to any failure of the product, or any parts of the product due to alterations, modifications, misuse, abuse, accident, improper maintenance, improper installation, acts of God or if the serial number on the product has been removed, altered or defaced. Adequate packaging must be used for returned goods to prevent freight damage.

There are no warranties which extend beyond the description on the face hereof. There is no express or implied warranty of fitness or merchantability.

The remedies provided in this limited warranty are the exclusive remedies provided to the purchaser by Soltron and are provided in substitution of all other remedies. Consequential and incidental damages are excluded.

No person, firm or corporation is authorized to obligate Soltron for any liability in connection with the sale or use of these goods.

Warranty

Limited Acrylic Warranty

Soltron warrants its acrylic sheets to be free from defects in material and workmanship, under intended normal use, for a period of one (1) year from date of sale of the tanning bed. Due to the tanning lotions, cosmetics, disinfectant and improper cleaners used on tanning surfaces that cannot be controlled by Soltron, after the first thirty (30) days of warranty period. Acrylic will be subject to a prorated cost to the consumer on breakage.

Soltron obligations do not include transportation charges on replacement acrylic.

Soltron assumes no liability for the cost of removing defective sheets or installing replacement sheets, nor for damage to persons or property.

To make a claim, contact an authorized dealer or distributor of Soltron or Global Service Division with the model number, the serial number, and the date of purchase of the bed in which the acrylic will be used.

There are no warranties which extend beyond the description on the face hereof. There is no express or implied warranty of fitness or merchantability.

The remedies provided in this limited warranty are the exclusive remedies provided to the purchaser by Soltron and are provided in substitution of all other remedies. Consequential and incidental damages are excluded.

Global Service Division

#1 Walter Kratz Drive

Jonesboro, Arkansas 72401

☎ (800) 445 0624

Email: support@jkamerica.com

Web: support.jkamerica.com

Warranty

Warranty Claims

Policy & Procedures

1. When to file a Warranty Claim:

In the event that your tanning system is not functioning properly under intended normal use as described in the unit's Operation an Instruction Manual, you may then have established cause to file a Warranty Claim.



NOTE:

Both the tanning system and legal registered owner must meet the criteria established under Soltron Limited Warranty as described in this manual before any Warranty Claim will be considered.

2. Where to call to place a Warranty Claim:

Soltron is supported nationwide by an extensive dealer/distributor network through whom the majority of our units are sold. These dealers/distributors are required by contract to stock sufficient parts to meet the various warranty and nonwarranty needs of their customers.

Therefore, in order for you to properly file a Warranty Claim, you must locate the name and phone number of the dealer/distributor through whom you purchased your unit. Normally this information can be easily located either on your paid invoice or other proof of purchase documentation that you received when taking delivery of the unit.

Next, notify the dealer/distributor of the serial number, model number and date unit was purchased. This will initiate the Warranty Claim process.

Upon determination of the problem, your dealer/distributor can then supply you with the part(s) and proper instructions to return your unit to working order.

Each dealer/distributor has their own internal procedure for handling Warranty Claims and credits.



NOTE:

Soltron, the manufacturer, does not involve itself in the direct handling of a Warranty Claim except where mitigating circumstances apply and where required by law.

Parts Warranty Claim/Credit Review

1. Customer calls Soltron and notifies the Service Department of problem
2. Soltron Service Department determines course of action.
3. Soltron ships part and R.A.I. to customer freight collect and bills customer on net 30 basis for part only.
4. Customer, within 15 days of receiving new part, returns defective part to Soltron along with R.A.I.
5. Upon receipt of defective part and R.A.I., Soltron issues customer a credit invoice which offsets original bill. Customer's account is returned to zero balance concerning this claim.

Warranty



NOTE:

If part returned to Soltron proves to be operational and not defective, or if product code numbers on part do not correspond with individual unit date on file with Soltron, then a 30% restocking fee will be charged in addition to the retail purchase price of part.

Acknowledgment of the Agreement is not required for acceptance of the foregoing stipulations.

Labor Warranty Claim/Credit Procedures

Soltron furnishes labor without charge for a period of 90 days from date of purchase. All labor and related charges must be authorized by Soltron prior to start or repairs, and must coincide with Soltron established rates and time allotment policy.

Please contact our Service Department for authorization and billing procedures.

Limited Lifetime Warranty

Soltron warrants specific individual components of the tanning system against defects in materials and workmanship for the life of the product. Coverage is limited to units purchased after November 1, 1994.

This warranty is restricted by the following components only:

- Steel Back Panels
- Structural Steel Frame Components
- Exterior Steel Body.



NOTE:

Components are warranted on an individual basis and not as they may effect the complete product.

Warranty coverage does not include cosmetic abnormalities such as scratches, nicks, dents, oxidation of paint or other cosmetic changes that do not interfere with the designed function of the unit.

This warranty does not include failure of the product due to alteration, modifications, misuse, abuse, improper maintenance, improper installation or repair.

This warranty is not transferable and is only applicable to the original purchaser named on a completed and registered warranty record at Soltron headquarters.

Soltron obligations do not include transportation charged on the shipping of new components to the customer or on the return of defective components of the manufacturer. All freight charges must be paid by the customer.

Warranty

There are no warranties which extend beyond the description on the face hereof. There is no express or implied warranty of fitness or merchantability.

The remedies provided in this limited warranty are the exclusive remedies provided to the purchaser by Soltron and are provided in substitution of all other remedies. Consequential and incidental damages are excluded.



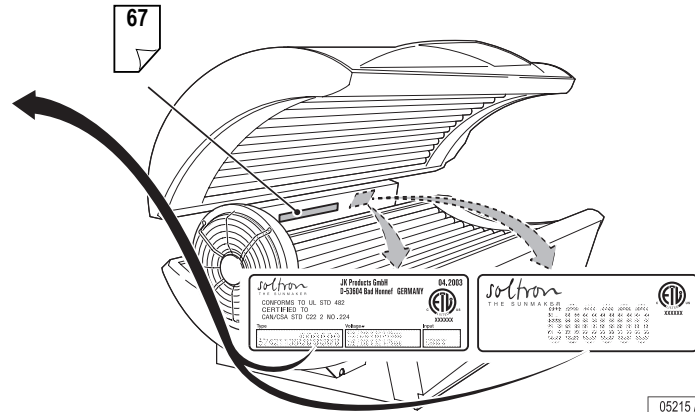
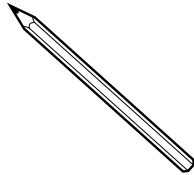
NOTE:

Any misuse, abuse, modification, alteration, improper maintenance, improper installation, etc. of this product or its intended use will subject said party to direct responsibility and liabilities for any and all consequences resulting from such action. Furthermore, such actions will void all warranties and may relieve Soltron of any liabilities relating to said product.

Identifiez votre solarium

Veillez noter le numéro de série de votre solarium lorsque vous contactez le service après-vente.

--	--	--	--	--	--



Global Service Division
#1 Walter Kratz Drive
Jonesboro, Arkansas 72401



☎ 800-445-0624
📠 870-935-9046

e-mail: support@jkamerica.com

Service après-vente

Types de peau

Types de peau

Pour le plan d'exposition recommandé (cf. page 67).

Type de peau I:

Type de personne qui est toujours sujet aux brûlures et ne bronze pas. Il est conseillé aux personnes à peau claire qui bronzing jamais de ne pas utiliser cet appareil.

Type de peau II:

C'est le type de personne facilement et fortement sujet aux brûlures, qui bronze de façon minimale ou légère et qui pèle.

Type de peau III:

Souvent désigné par teint « moyen », brûlures modérées et bronzage moyen.

Type de peau IV:

Brûlures minimales, bronzage aisé et au-dessus de la moyenne à chaque exposition.

Type de peau V:

Ce genre de personne n'est sujet que rarement à des brûlures, bronzing aisément et en profondeur.

Temps de bronzage XS-45 Turbo Power, VHP 20 160W

<p>DANGER DE RADIATION AUX RAYONS ULTRAVIOLETS</p> <p>Suivre les instructions suivantes: Eviter la surexposition comme au soleil. La surexposition peut provoquer des lésions aux yeux comme à la peau ainsi que des réactions allergiques. Une surexposition peut avoir pour effet un vieillissement prématuré de la peau de source cancérigène.</p> <p>Le temps d'exposition maximum est de 20 minutes.</p>	Tableau des expositions recommandées						
	Type de peau	1 ^{ère} semaine 1 ^{ère} – 3 ^{ème} exposition	2 ^{ème} semaine 4 ^{ème} – 6 ^{ème} exposition	3 ^{ème} semaine 7 ^{ème} – 10 ^{ème} exposition	4 ^{ème} semaine 11 ^{ème} – 15 ^{ème} exposition	séances hebdomadaires par la suite	
	II – sensible	3 min.	7 min.	15 min.	20 min.	20 min.	
	III – moyenne	3 min.	7 min.	15 min.	20 min.	20 min.	
	IV – brune	3 min.	10 min.	15 min.	20 min.	20 min.	
	V – brun foncé	3 min.	10 min.	15 min.	20 min.	20 min.	

<p>Portez des lunettes protectrices! Ne pas le faire peut provoquer des brûlures sévères et occasionner des lésions (irréversibles) aux yeux.</p> <p>Certains médicaments ou produits cosmétiques peuvent également augmenter votre sensibilité aux rayons ultraviolets. Si vous prenez des médicaments ou si vous pensez être particulièrement sensible à une exposition au soleil, veuillez consulter un médecin avant toute exposition aux rayons ultraviolets. Notez scrupuleusement l'origine de vos problèmes de peau si vous êtes spécialement sensible aux rayons du soleil. Si vous ne bronzes pas au soleil, vous ne bronzerez probablement pas avec cet appareil!</p>	<p>Cette unité utilise des lampes UVA . Remplacez les uniquement avec des Soltron VHP 20 160W xs turbo power (partie supérieure), Soltron VHP 20 120W xs super power (partie inférieure) et JK/RUSA 400W (haute pression) ou autres lampes reconnues équivalentes.</p> <p>Pour obtenir la distance minimum recommandée d'exposition de 13mm mesurée à l'aide d'une règle usuelle, allongez-vous sur la banquette acrylique et rabattez le couvercle. Le couvercle s'arrêtera à la distance correcte de la surface de la banquette acrylique.</p> <p>Attention: l'utilisation de toute autre position peut provoquer une surexposition.</p>
---	---

<p>Le bronzage peut débuter sur une base d'expositions régulières. L'apparition du bronzage se fait remarquer normalement après quelques expositions et au maximum 4 semaines suivant l'exposition selon le tableau ci-dessus pour chaque type de peau. Afin de procurer et conserver un bronzage minimum, deux séances de 15 minutes au maximum par semaine sont recommandée à partir de la cinquième semaine.</p>	<p>Utiliser des lunettes protectrices (Type no Schmetler 2255 Rouge ou équivalentes), lorsque l'équipement est en fonctionnement. Lire attentivement et suivre les instructions du petit manuel avant d'utiliser le produit. Afin d'éviter une décharge électrique lors du service de maintenance, veillez à déconnecter l'appareil du courant électrique.</p> <p>834496</p>
---	--



Note :
Description des types de peau, voir page 66.

05322 / 0

« En termes de performances standard, ce produit est conforme aux exigences applicables aux appareils équipés de lampes à rayons ultraviolets selon la norme CFR21 Part 1040. »

Avant-propos

Cher client,

L'appareil Soltron que vous avez acheté est un système de commande à ordinateur performant et intégrant les dernières avancées de la technologie. La fabrication de votre appareil a fait l'objet d'un soin et d'une précision extrêmes. Il a été soumis à un contrôle qualité rigoureux et à de nombreux tests de sécurité afin d'en garantir le fonctionnement sûr et sans problèmes. Vous restez néanmoins un acteur important pour garantir la longévité de votre appareil. Si vous suivez les conseils et les informations spécifiés dans les instructions d'installation, votre appareil vous apportera entière satisfaction.

Nous sommes toujours à votre disposition si vous avez des questions.¹⁾

Avec nos meilleures salutations

Soltron Inc.

- Lisez et observez les informations contenues dans ce manuel d'instructions. Elles vous permettent d'éviter les accidents et d'avoir un appareil en parfait état de fonctionnement.
- Tenez toujours également compte des réglementations et prescriptions légales générales ou autres, ainsi que les directives de protection de l'environnement.



Note :

Les illustrations et les informations fournies dans le présent mode d'emploi le sont sous réserve de modifications techniques.

Toute reproduction ou duplication, partielle ou complète, de ce manuel n'est autorisée qu'après autorisation écrite préalable et avec référence à la source.

1) ☎ (800) 643 0086

Table de matières

Types de peau	66	Séance de bronzage	84
Temps de bronzage	67	Fin de la séance de bronzage	85
Consignes de sécurité et informations importantes.	71	Réglages pendant le démarrage	86
Notes relatives à la sécurité	71	Réglage des bronzeurs faciaux	87
Utilisation conforme	72	Réglage de ventilateur	88
Obligations de l'exploitant	72	Caractéristiques techniques.	89
Instructions relatives a un risque d'incendie, de choc électrique ou de blessures corporelles	73	Maintenance.	93
Instructions relatives à un risque de dommage matériel	75	Couper la tension sur l'appareil et verrouiller contre la remise en marche	93
Signification des symboles	75	Maintenance, vue d'ensemble	Page dépliant 94
Directives	77	Intervalles de maintenance, lampes installées et numéros d'ordre ..	95
Exportation	77	Instructions relatives au remplacement des lampes / maintenance ..	98
Accessoires	77	Nettoyage/remplacement des lampes UV basse pression dans la partie inférieure du solarium	99
Information sur le produit	78	Nettoyage/remplacement des lampes UV basse pression dans la partie supérieure	101
Maintenance et entretien	78	Nettoyage/remplacement des lampes UV haute pression/panneaux filtrants dans la partie supérieure	103
Nettoyage	79	Nettoyage des filtres dans la partie inférieure du solarium	107
Information relative à la protection de l'environnement	80	Nettoyage/remplacement des filtres dans la partie supérieure	108
Notice générale pour le bronzage	81		
Service.	83		
Tableau de service	Page dépliant 84		

Table de matières

Ajustage de la partie supérieure relevable	109
Réglages préliminaires	110
Dépannage	122
Index alphabétique.....	123
Garantie limitée Soltron.....	125

Consignes de sécurité et informations importantes

Notes relatives à la sécurité

Description des panneaux d'avertissement

Notes relatives aux dangers, blessures corporelles :



DANGER !

Type et source de danger, par ex. « DANGER – haute tension ! »

Description des conséquences, par ex. « Danger de mort ou de blessures des suites d'un choc électrique ! »

Contre-mesures :

- Débranchez l'appareil de l'alimentation secteur avant l'ouverture.
- N'intervenez pas à l'intérieur et ne changez pas de lampes quand l'appareil est sous tension..

Notes d'avertissement, blessures corporelles :



AVERT. !

Type et source de danger, par ex. « Avertissement – surface chaude ! »

Description des conséquences, par ex. « Risque de brûlures aux mains (peau, visage) ! »

Contre-mesures :

- Ne touchez pas aux lampes et aux surfaces avoisinantes.
- Attendez que les lampes et les surfaces soient refroidies

Notes de prudence, dommages matériels :



ATTENTION !

Le mot « ATTENTION » sur cette étiquette indique un danger potentiel pour les équipements, le matériel et l'environnement.

Information importante :



Note :

Ce symbole ne concerne pas les notes relatives à la sécurité ; il ne fournit que des informations pour mieux comprendre les processus.

Veillez lire et observer ...

Utilisation conforme

Le solarium est conçu exclusivement pour le bronzage cosmétique du corps humain.

- Cet appareil est utilisé pour le bronzage d'une personne adulte à la fois.
- L'utilisateur porte des lunettes de protection des yeux neutralisant les rayons UV pendant le bronzage.

Toute utilisation autre est considérée comme non conforme. Le constructeur décline toute responsabilité pour les dommages ou blessures susceptibles d'en résulter. L'utilisateur est seul responsable.

Par utilisation conforme, on entend également le respect des remarques, conditions d'utilisation, d'entretien et des prescriptions du constructeur. Le service, l'entretien et la remise en état de l'appareil sont réservés aux personnes familiarisées avec ces tâches et instruites des risques éventuels.

Obligations de l'exploitant

- En tant qu'exploitant, vous êtes tenu d'informer les utilisateurs sur les risques éventuels pendant le bronzage.
- Toutes les indications relatives aux dangers et à la sécurité sur l'appareil doivent être observées. Ne pas les enlever !
- Aucun équipement de sécurité (par ex. interrupteur de panneau) ne doit être enlevé ou désactivé pour ne pas nuire à un fonctionnement sûr de l'appareil !
- L'appareil ne doit être utilisé que lorsqu'il est en parfait état de fonctionnement !
- L'exploitant est tenu de s'assurer que l'équipement est utilisé correctement.

Instructions relatives a un risque d'incendie, de choc électrique ou de blessures corporelles



DANGER !

DANGER – haute tension !

Danger de mort ou de blessures des suites d'un choc électrique !

Le montage et les branchements électriques doivent être effectués de façon conforme aux réglementations nationales et locales.

- Le montage, l'installation, la mise à niveau et la réparation de l'appareil doivent être exclusivement réservés à un personnel formé et instruit en conséquence.



AVERT. !

Avertissement – rayons ultraviolets !

Un bronzage sans protection peut entraîner des blessures et des dommages des yeux.

L'œil non protégé peut subir une inflammation en surface avec, dans certains cas, un endommagement de la rétine des suites d'un rayonnement excessif. Des cataractes peuvent se former après une exposition fréquente aux rayons.

- Informez les utilisateurs pour les prévenir de fermer les yeux et d'utiliser les lunettes de protection fournies contre les UV (n° de commande 84592¹⁾).



AVERT. !

Avertissement – rayons ultraviolets ! Veuillez suivre les instructions suivantes !

Sans dispositif de protection des yeux, ce produit peut causer des brûlures ou lésions oculaires graves. En cas de problème arrêter l'utilisation et consulter un médecin.

- Comme avec les rayons solaires naturels, une exposition trop longue peut causer coup de soleil ou brûlure.
- Une exposition répétée peut causer un vieillissement prématuré de la peau ou un cancer de la peau.
- L'utilisation de certains médicaments ou produits appliqués sur la peau peut accroître la sensibilité aux ultraviolets.
- Les personnes ne bronzant pas au soleil ne le feront probablement pas sur cet appareil. Les sujets à la peau très sensible (type de peau I) ne doivent pas utiliser l'appareil car aucun bronzage n'est possible sans coup de soleil avec ce type de peau.
- Toute personne ayant des problèmes de peau doit consulter un médecin avant toute utilisation.
- Eviter toutes surexposition.
- Il est conseillé aux enfants, aux personnes âgées ou aux personnes à peau claire ne bronzant pas ou étant très sensibles au soleil de ne pas utiliser cet appareil.

1) Global Service Division – voir à page 65.

Veillez lire et observer ...



AVERT. !

Avertissement – rayons ultraviolets !

Danger de conséquences à long terme.

- Les nourrissons et les petits enfants jusqu'à 7 ans ne doivent pas utiliser cet appareil.
- Ce qui suit concerne les mineurs de moins de 18 ans : n'utilisez les solariums qu'avec l'autorisation d'un parent ou d'un tuteur, ou après avoir consulté un médecin.
- Bien qu'il n'existe pas de symptôme clinique immédiat des suites de l'exposition aux UVA et de ses effets sur les femmes enceintes, il est fortement recommandé de déconseiller l'utilisation du solarium à ces femmes.



AVERT. !

Avertissement : Risque d'infection !

Les infections peuvent se propager par contact de la peau.

Tous les articles et équipements avec lesquels l'utilisateur peut entrer en contact pendant la séance de solarium doivent être désinfectés au terme de chaque séance de solarium :

- Lunettes de protection
- Repose-tête
- Partie inférieure du solarium en matériau acrylique
- Panneau de manipulation et de commande



Note :

Les personnes utilisant le solarium pourront noter occasionnellement de légères rougeurs de la peau – normalement par petites taches – après la deuxième ou la troisième séance. Ces rougeurs s'accompagnent fréquemment de démangeaisons. Ceci ne peut être rien d'autre qu'une inflammation due à la chaleur dégagée par les lampes dans l'appareil. Elle est en règle générale très limitée et causée par le contact constant de la peau et de la surface acrylique. Elle disparaît normalement au bout d'environ 24 heures et ne réapparaît pas. Cette éruption peut être réduite ou empêchée par l'application d'une lotion hydratante sur la zone affectée une fois la séance de bronzage terminée.

- Suivre les instructions.
- L'intervalle entre deux séances de bronzage doit être d'au moins 24 heures !
- L'augmentation du bronzage requiert également une augmentation du temps d'exposition (= durée de radiation) ou une nouvelle intensification n'est plus possible une fois un certain degré de bronzage atteint. Toutefois la durée d'exposition au rayonnement ne doit pas être prolongée sans considération à l'intérieur des limites de rayonnement tolérable. En conséquence, les sujets ne peuvent parvenir qu'à un certain degré de bronzage en fonction de leur type de peau, sans risque pour leur santé.

Veillez lire et observer ...



- Informer les utilisateurs sur le bronzage correct – cf. page 81.

Instructions relatives à un risque de dommage matériel



ATTENTION : danger de surchauffage !

Danger de surchauffage par obstruction de la sortie d'air.

- Ne modifiez, bouchez ou bloquez pas l'entrée et la sortie d'air vers l'appareil et ne procédez à aucune transformation non autorisée de l'appareil. Le constructeur décline toute responsabilité pour les dommages ou les blessures susceptibles d'en résulter.
- L'appareil ne doit pas être installé ni exploité sur la palette de transport ! Risque de surchauffe due à la perturbation de la diffusion d'air.

Signification des symboles

Symboles généraux



Informez le service après-vente



Clé Soltron



Ne pas toucher, surface chaude !



Ventouse



Lampe(s) basse pression



Lampe(s) UV basse pression



Starter pour lampe(s) UV basse pression

Veillez lire et observer ...



Lampe(s) UV haute pression



Panneaux filtrants



Produits de nettoyage et de désinfection



Numéro de pièce/article (pour commandes)

Service



Description



Appuyer sur le bouton



**p.ex.
2s**

Appuyer sur le bouton pendant 2 secondes

0-3 min

Durée : 3 minutes



Haut-parleur



Raccordement d'écouteur

Caractéristiques techniques



Maintenance



Attention, interrupteur de sécurité !



Dévisser/desserrer vis



Visser/serrer vis



Cette étape requiert la présence de 2 personnes.



Nettoyage

Veillez lire et observer ...



Remplacement



Nettoyer ou remplacer selon l'encrassement



Contrôle visuel



Filtre



Poursuite des travaux à la page suivante



Fin de l'étape de travail

Directives

Cet appareil a été construit conformément à la norme UL STD 482, et est certifié CAN/CSA STD C22.2 2 No. 224.

Exportation

Nous souhaitons attirer l'attention sur le fait que ces appareils sont prévus exclusivement pour être utilisés aux USA et au Canada et qu'ils ne peuvent être exportés et utilisés dans aucun autre pays ! Le constructeur décline toute responsabilité en cas de non-observation de ces prescriptions ! Nous insistons explicitement sur le fait sur les risques élevés concernant la responsabilité de l'exportateur et/ou de l'exploitant en cas de non-observation de cette indication.

Accessoires

Une vue d'ensemble des accessoires possibles est fournie dans la documentation de vente.

Veillez lire et observer ...

Information sur le produit

Panneaux en verre acrylique

Les panneaux en verre acrylique des solariums sont fabriqués dans un matériau spécialement développé pour cette application. Les acryliques utilisés se caractérisent par une perméabilité et une résistance aux UV particulièrement élevées, ainsi que par un entretien aisé ; la surface hygiénique est agréable à la peau.

Les panneaux en verre acrylique sont formés pour l'appareil respectif au cours d'un processus de protection technique sophistiqué. En dépit du savoir-faire de pointe en production, la présence de taches mineures, de bulles d'air ou de stries dans les panneaux acryliques est inévitable. De fines fissures peuvent en outre apparaître en service à la surface de la banquette.

Ces phénomènes dépendent du matériau et sont inévitables lors du traitement, mais ils restent sans effet significatif sur la valeur d'utilisation et ne peuvent pas conséquents pas être considérés comme des défauts.



ATTENTION !

Les produits cosmétiques ou crèmes solaires doivent être enlevés avant la séance de bronzage car ils peuvent entraîner à long terme des endommagements (p. ex. fissures de surface).

Maintenance et entretien



DANGER !

Danger extrême ! Haute tension !

Pendant les travaux de maintenance, risque de contact avec les pièces sous tension et de choc électrique mortel.

- Débranchez l'appareil de l'alimentation secteur avant de l'ouvrir – cf. également Page 93.
- N'intervenez pas u-delà des recouvrements et n'ouvrez pas l'appareil quand il est sous tension.
- Les dispositifs de sécurité qui ont été déposés doivent être remontés après les travaux.

La maintenance et l'entretien jouent un rôle capital pour décider si l'appareil répond aux attentes de manière satisfaisante. Il est onc essentiel de respecter les intervalles de maintenance prévus et d'effectuer avec soin les travaux d'entretien et de maintenance – cf. page 94.



ATTENTION !

Employez uniquement des pièces détachées originales de même type ou compatibles ! L'emploi d'autres pièces annule la conformité ! Le constructeur décline toute responsabilité en cas de dommages résultant, preuves à l'appui, de l'utilisation de pièces détachées non originales.

Nettoyage

Surfaces en verre acrylique



ATTENTION !

Ne frottez pas les surfaces avec un chiffon sec – risque de rayures !

Pour un nettoyage rapide et hygiénique des surfaces en verre acrylique, utilisez exclusivement le produit de nettoyage et de désinfection rapide spécialement mis au point Antifect®.

N'utilisez pas non plus d'autres produits de nettoyage non appropriés, en particulier des désinfectants concentrés ou des solvants (par ex. Lysoform, alcool éthylique ou autres liquides contenant de l'alcool) pour le nettoyage.

En cas de non-observation, les droits à la garantie ne sont plus reconnus.

Surfaces en plastique

Pour le nettoyage des autres surfaces en plastique, il est préconisé d'utiliser de l'eau tiède et une peau de chamois. N'utilisez jamais de détergents agressifs contenant de l'alcool ou des huiles essentielles. Ceci peut entraîner à long terme des dommages non couverts par la garantie.

Pendant le nettoyage, une légère décoloration de la peau de chamois due aux joints de caoutchouc doit être attendue pour des raisons relatives à la production.



Note :

Évitez l'endommagement des surfaces en verre acrylique et en plastique. Retirez bagues, montres, bracelets, etc., avant de procéder aux travaux de nettoyage.



02756 / 0

Veillez lire et observer ...

Information relative à la protection de l'environnement

Déclaration relative à l'environnement – Le groupe d'entreprises JK

Le groupe d'entreprises JK se soumet aux règles strictes de la Directive CEE 761/2001 et de la norme ISO 14001 et fait l'objet de contrôles réguliers par des auditeurs professionnels portant sur la sécurité environnementale.

Réglementations relatives à l'environnement – évacuation des lampes

Les lampes UV basse et haute pression usagées contiennent un agent fluorescent et d'autres déchets contenant du mercure.

Selon les lois nationales sur l'évacuation des déchets et conformément aux règlements municipaux sur les déchets, les lampes UV doivent être mises au rebut correctement, preuves à l'appui.

Votre agence environnement locale est là pour vous assister en ce qui concerne la gestion des déchets de lampes UV.

Emballage

L'emballage est constitué de matériaux entièrement recyclables. Les emballages qui ne sont plus utilisés peuvent être retournés au groupe d'entreprises JK. Pour de plus amples informations, n'hésitez pas à contacter le service de vente ou le revendeur.

Élimination de matériaux recyclables

L'appareil a été conçu à partir de matériaux recyclables. La mise à la ferraille ultérieure doit être réalisée conformément à la réglementation appliquée. Pour en savoir plus sur la composition ou les risques liés aux matériaux utilisés, adressez-vous au Soltron.

Notice générale pour le bronzage

Quels peuvent être les utilisateurs ?

Toute personne qui peut bronzer à la lumière naturelle du soleil. Les personnes à peau sensible peuvent même bronzer plus en douceur et sans soucis, étant donné que les solariums permettent un dosage exact des rayons.

Certains médicaments – en particulier ceux produisant une photosensibilité – peuvent provoquer, chez les personnes les utilisant, des effets contraires ; ces personnes doivent éviter de s'exposer à des sources UV de toutes natures. Les médecins aviseront les personnes prenant ces médicaments de leurs effets contraires.

La rapidité et l'intensité du bronzage dépendent du type de peau et de la concentration de mélanine individuelle dans la peau. Il n'y a pas deux teintes de peau identiques. Le bronzage d'une personne peut varier d'une personne à l'autre, au même titre que la durée du traitement.

Qu'est-ce que la mélanine ?

La pigmentation brunâtre produite par certaines cellules de la couche inférieure de notre peau détermine le bronzage individuel. Quand la peau est exposée à la lumière ultraviolette, la mélanine est activée et se combine à des cellules de protéine qui se déplacent vers la surface de la peau, produisant le bronzage. La quantité de mélanine dans la peau détermine la rapidité et l'intensité du bronzage. Plus la peau produit de mélanine, plus le bronzage sera rapide et intensif, suivant la durée d'exposition.



Note :

Le bronzage réalisé par l'appareil est un bronzage « cosmétique » profond et durable. Toutefois et indépendamment de l'intensité de bronzage à laquelle une personne peut être soumise avec cet appareil, il ne fournit pas de protection adéquate contre la surexposition aux rayons du soleil ou aux systèmes de bronzage UVB.

Quelles durées de bronzage sont-elles recommandées ?

Bien qu'il n'y ait aucune raison de se soucier des coups de soleil avec la méthode de bronzage aux UV, certaines indications de base doivent être fournies selon la sensibilité de la peau des différentes personnes.



DANGER!

Risques de blessures et de maladies de la peau !

Bien que les rayons UVA soient relativement inoffensifs comparativement aux rayons naturels du soleil, des durées de bronzage excessives peuvent entraîner des rougeurs et des brûlures de la peau.

- Observez les durées de bronzage recommandées, cf. page 67.

Une fois que vous avez votre bronzage, 1 ou 2 séances de bronzage par semaine sont normalement suffisantes pour le conserver.

Devez-vous utiliser une crème solaire ?

Non ! Il est recommandé de ne pas utiliser de crèmes solaires, d'huiles ou de lotions prévues pour l'extérieur. Les crèmes solaires cosmétiques avec facteur de protection (SPF) sont prévues pour filtrer les rayons

Veillez lire et observer ...

agressifs du soleil. Toutefois, la lumière de nos solariums ne contient que de très petites quantités de rayons comparables, ce qui rend inutile l'emploi de ce genre de protection. Au contraire, la peau doit être parfaitement propre et sèche avant chaque bain de soleil. Des nombreux maquillages pour visage contiennent des huiles et doivent être enlevés avant une séance.

Une ventilation appropriée de la pièce ou de la cabine du solarium est requise pour une utilisation correcte et confortable. Votre solarium fonctionnera le mieux à une température ambiante de 75 °F à 90 °F.

Après une séance de bronzage, il est recommandé d'appliquer une lotion hydratante sur la peau. Ceci donne un bronzage plus doux et plus agréable à regarder.

Service

Lecture impérative

Lisez et suivez toujours les instructions d'utilisation appropriée avant d'utiliser un solarium. Les instructions de service accompagnant l'appareil doivent toujours être suivies pour éviter les blessures possibles ou pour les minimiser.

Informez les utilisateurs

- pour qu'ils utilisent des lunettes de protection neutralisant les UV quand l'équipement est sous tension
- pour qu'ils respectent le plan d'exposition selon leur type de peau. La non-observation est la cause de surexposition.

Un solarium n'est pas un jouet. Vous ne pouvez pas modifier la puissance des lampes dans votre appareil.

Si vous avez des questions relatives à l'utilisation correcte de votre solarium, contactez JK Global Service au :

☎ 800 445 0624

7:00 a.m. to 7:00 p.m. (CT)



WARNING!

Avertissement – rayons ultraviolets !

Risques de blessures et de maladies de la peau !

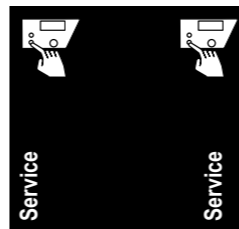
- Le solarium ne doit jamais être utilisé quand un panneau filtrant manque ou est endommagé, ou quand le minuterie est défectueuse.



Note :

Pour décrire les opérations, le solarium est représenté avec la partie supérieure ouverte. Pendant la séance de bronzage, la partie supérieure doit toujours être fermée.

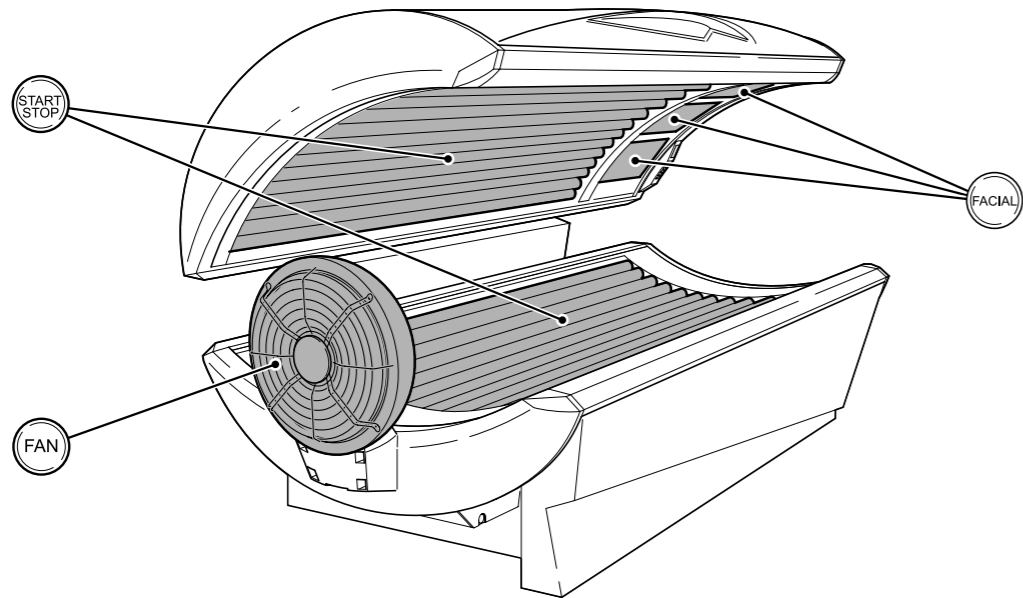
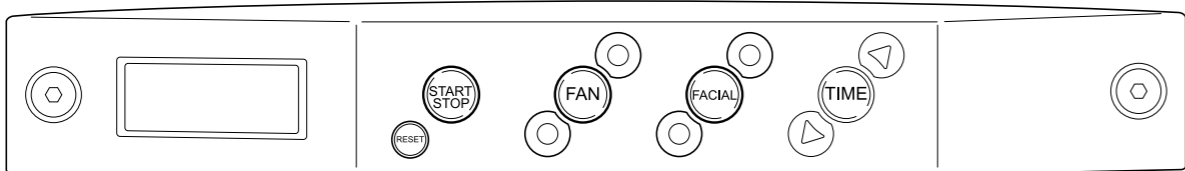
Un service correct n'est pas possible quand la partie supérieure est ouverte.



Ouvrir la partie rabattable.



XS-45



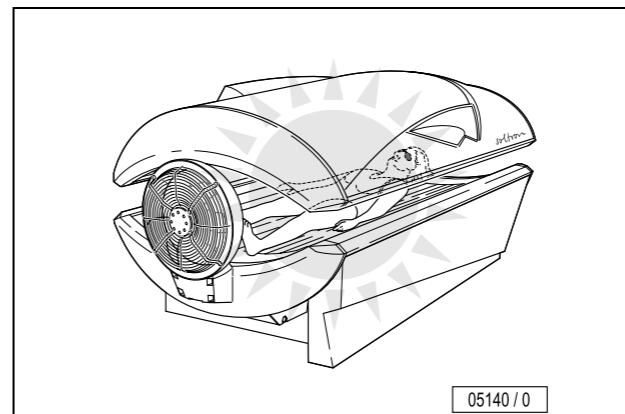
05144 / 0



Bronzage

Début de la séance de bronzage

- Pour régler le temps, appuyez sur le bouton . Pour la durée de bronzage recommandée, voir page 67.
- Pour remettre le temps à zéro, appuyez sur le bouton , le compteur affiche alors 00:00.
- Pour démarrer la séance de bronzage, appuyez sur le bouton . La durée de la séance est comptée à rebours en minutes et secondes.
- Pour remettre le temps à zéro après le démarrage, appuyez sur les boutons et ensuite le bouton , le compteur affiche alors 00:00.



05140 / 0

Temps de préparation

Si une séance a déjà été programmée¹⁾, l'afficheur indique d'abord la durée de la séance après avoir appuyé sur le bouton .

Vous avez le temps de préparer le solarium pendant le temps de démarrage de la séance :

- Enlevez vos vêtements et tous vos bijoux.
- Nettoyez maquillage et cosmétiques.
- Retirez vos lunettes. Vous pouvez conserver vos verres de contact sous les lunettes de protection.
- Mettez les lunettes de protection.
- Allongez-vous sur la banquette.
- Fermez la partie supérieure.

1. cf. page 113




Note :

En fonction des préréglages (voir page 110), à partir de une (1) minute avant le démarrage de la séance de bronzage, l'appareil émet un signal sonore. A partir de trente (30) secondes avant le démarrage de la séance de bronzage, l'appareil émet un second signal sonore. Un signal sonore est émis dix (10) secondes avant le début de la session, puis toutes les secondes jusqu'au démarrage du solarium. Le retard au départ n'est valable que pour un démarrage du solarium ; il ne répète pas lors des démarrages subséquents (par exemple après que la séance a été interrompue).





Le solarium fonctionne quand les lampes UV sont allumées et quand les ventilateurs tournent.

Si l'appareil ne démarre pas une fois que vous avez fermé la partie supérieure :

- appuyez sur  pour démarrer la séance de bronzage.

Interruption et fin de la séance de bronzage

La séance de bronzage cesse automatiquement après écoulement du temps qui a été réglé. Le ventilateur interne reste en fonctionnement pendant environ trois (3) minutes (la temporisation du ventilateur est de une (1) minute minimum, voir page 113), afin de refroidir suffisamment le solarium.

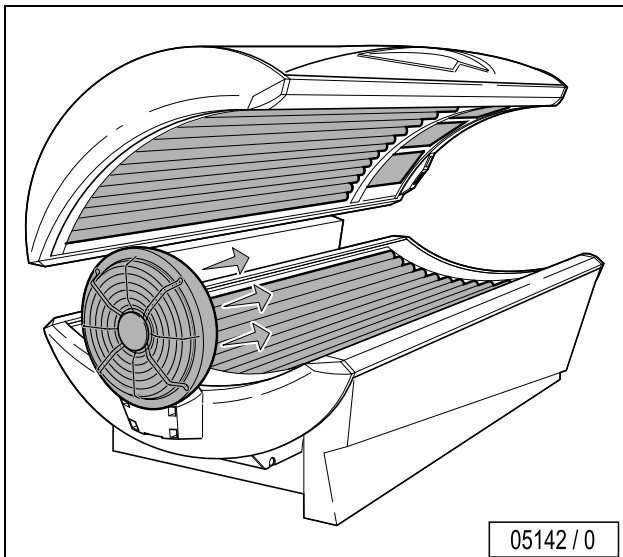
- Pour interrompre la séance de bronzage, appuyer sur le bouton  à n'importe quel moment pendant la séance. Le compte à recours est alors interrompu et le temps écoulé est sauvegardé (en fonction du réglage, voir page 117).
- Pour redémarrer le solarium, appuyez sur le bouton .
- Pour stopper la séance de bronzage, appuyer sur le bouton  et ensuite le bouton . Le compteur indique alors 00:00.



Service



Réglages pendant le démarrage : XS-45¹⁾



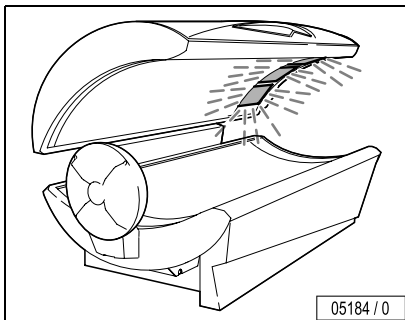
Service

1) Voir aussi Réglages préliminaires, page 110









Réglage des bronzers faciaux



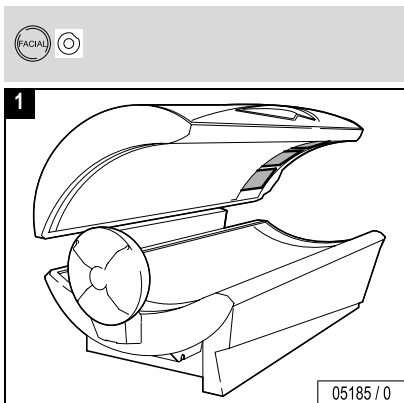
Extinction des bronzers faciaux (OFF) :

Appuyez sur le bouton  .

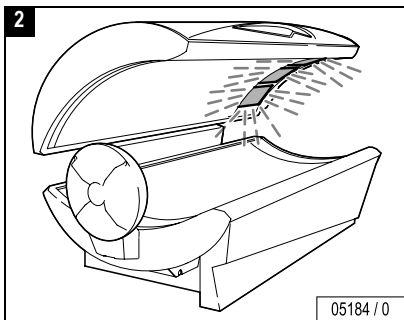
Rallumage des bronzers faciaux :

Appuyez à nouveau sur le bouton  .

Les bronzers faciaux parviennent à leur plein rendement au bout d'environ une (1) minute.



  Une (1) minute de temporisation

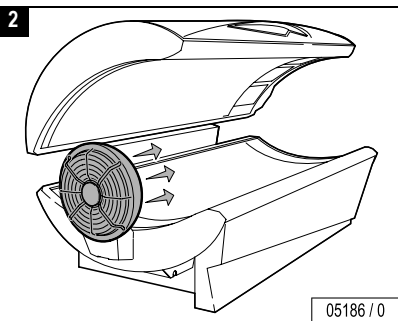
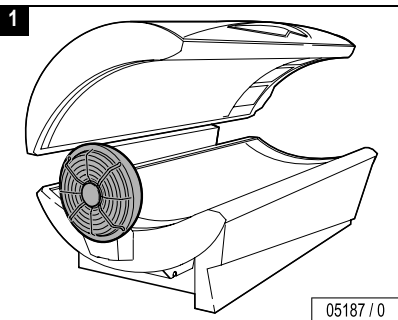
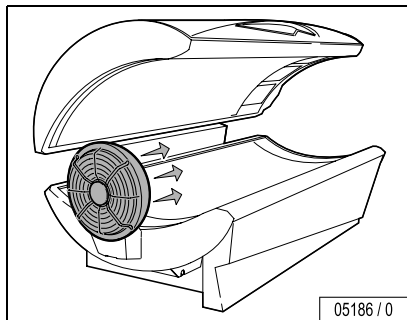


Service









Réglage de ventilateur



Désactiver le ventilateur (OFF) :


Appuyez sur le bouton  .

Redémarrer le ventilateur :

Appuyez sur le bouton  .



Caractéristiques techniques

Type d'appareil :	Soltron XS-45 Flirt***
Puissance nominale :	7100 W
Tension nominale :	230 V
Fréquence nominale :	60 Hz
Pouvoir de coupure nominal :	40 amp 1 pôle 30 amp 3 pôles
Marque de contrôle :	

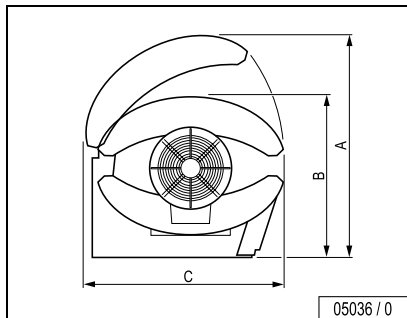
D'autres informations suivront.



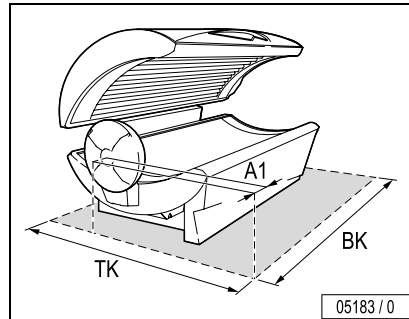
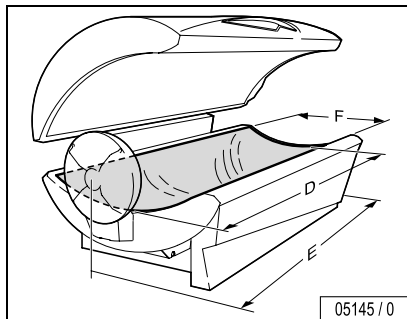
Caractérist.
techniques



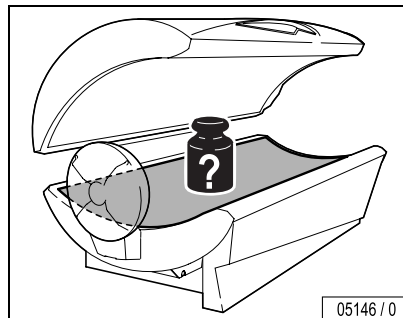
Tolérance solarium dans la pièce



A	=	52 ¹⁵ / ₁₆ in	1345 mm
B	=	41 ⁵ / ₁₆ in	1049 mm
C	=	46 ¹⁵ / ₁₆ in	1193 mm
D	=	81 ⁹ / ₁₆ in	2071 mm
E	=	90 ¹³ / ₁₆ in	2306 mm
F	=	31 ¹³ / ₁₆ in	808 mm
A1	=	1 ¹⁵ / ₁₆ in	50 mm
BK	=	8 ft/95 in	2400 mm
TK	=	7 ft/83 in	2100 mm
?	=	330 lb	150 kg



Charge maximale autorisée



WARNING!

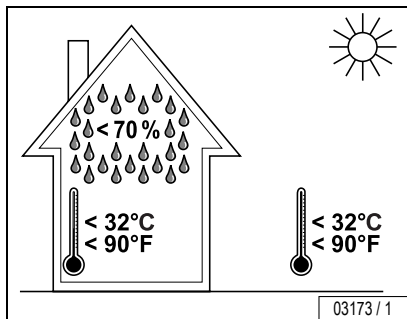
Avertissement – bris possible du panneau acrylique !

De graves coupures par le verre et brûlures par les lampes chaudes peuvent en résulter !

- Une seule personne adulte à la fois est autorisée.
- Les personnes d'un poids supérieur à 300 lb (150 kilos) ne doivent en aucun cas utiliser l'appareil.



**Température /
humidité ambiantes maximum**



**Caractérist.
techniques**





Maintenance

Couper la tension sur l'appareil et verrouiller contre la remise en marche

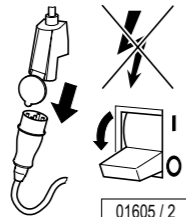


DANGER !

Danger de mort !

Avant de travailler sur les solariums, ceux-ci doivent d'abord être déconnectés. Cela signifie que tous les câbles électriques doivent être débranchés.

Il ne suffit pas de déconnecter le solarium car la tension peut encore être appliquée à certains endroits. Avant toute opération, il est donc impératif de couper tous les fusibles et, si possible, de les déposer.

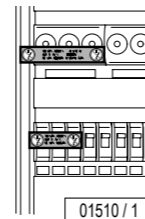


01605 / 2

- Sur les fusibles automatiques qui ne peuvent pas être dévissés, recouvrir le levier de commande d'une bande adhésive portant la mention « Ne pas ré-enclencher, danger ! ».

Installer systématiquement dès le début des travaux un panneau d'interdiction sur lequel figure l'inscription :

- « Travaux en cours ! »
- « Localisation : »
- « Le panneau ne peut être enlevé que par : ».



01510 / 1



01511 / 1



Maintenance

Maintenance



DANGER !

Danger de mort !

Une remise en marche inopinée peut être à l'origine de graves accidents.

Immédiatement après la mise hors tension, verrouiller les interrupteurs et les fusibles ayant servi à couper la tension de sorte qu'ils ne puissent pas être ré-enclenchés.

- Fermer le boîtier des fusibles avec un cadenas.



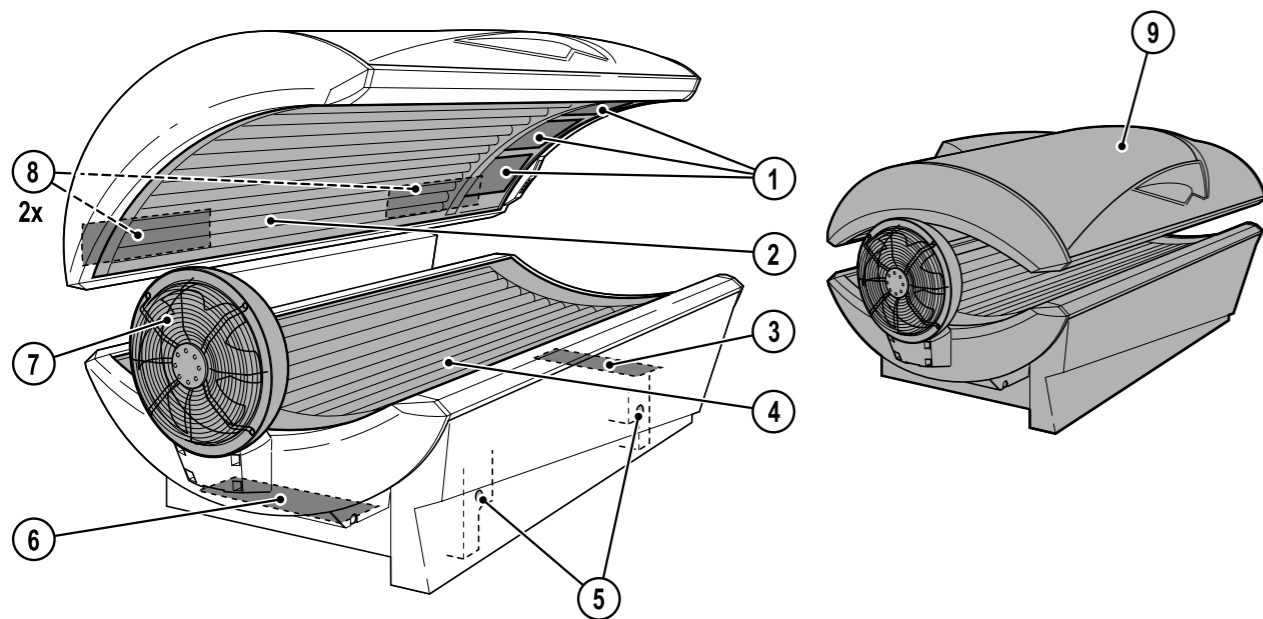
DANGER !

Danger de mort !

Les panneaux d'interdiction ne doivent pas être accrochés à des pièces sous tension ni les toucher.



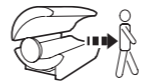
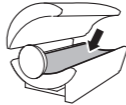

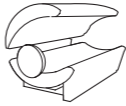
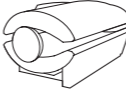
Ouvrir la partie rabattable.



05167 / 0



Nettoyage planifiée

	<p>④</p> 	<p>i Note: Nettoyer si nécessaire !</p>
	<p>① - ⑨</p>  <p>⑨</p> 	<p>i Note: Nettoyer si nécessaire !</p>



Danger : Risque d'irritation des yeux

Pour nettoyer les lunettes de protection, utilisez exclusivement un désinfectant approprié.



Nettoyage planifiée – filtres				
/50 h	⑧	2 x	55567	108
	③ , ⑥	2 x	55567	107





Remplacement planifiée – lampes à décharge, starters XS-45 Flirt*** Turbo Power



500 h		b) 3 x	JK/RUSA 400 W	12875	103
		c) 20 x	Soltron VHP™ 20 120W xs super power	12813	99
		d) 20 x	Soltron VHP™ 20 160W xs turbo power	12814	101
1,000 h		c) 40 x	S12	10002	99, 101
		d)			



Note :

Les lampes UV haute pression utilisées, JK/RUSA 400 W (bronzeur facial), pouvant fonctionner à des puissances diverses.



Lampes à décharge UV basse pression : nettoyer à l'eau claire (par ex. à l'aide d'un chiffon humide).



Remplacement planifiée – panneaux filtrants, verres acryliques			
1,500 h	④	801480	99
3,000 h	①	52093	103



Panneaux filtrants : nettoyer à l'eau claire (par ex. à l'aide d'un chiffon humide).



Instructions relatives au remplacement des lampes / maintenance

En tant qu'exploitant et/ou opérateur, vous devez impérativement vérifier tous les composants pour vous assurer qu'ils ne comportent pas de signes d'usure susceptibles de se produire en service normal.

Observez le plan de nettoyage et de maintenance spécifié dans le tableau de maintenance à la page 95 à 97.

Ne remplacez les lampes UV basse pression que par des lampes originales de même type ou des lampes compatibles.

Ne remplacez les lampes UV haute pression que par des lampes originales de même type ou des lampes compatibles.

Si vous avez besoin d'assistance ou d'informations supplémentaires, veuillez contacter la Global Service Division au 800 445 0624, du lundi au vendredi, 7:00 a.m. à 7:00 p.m. CT.



ATTENTION – Dommages dus à une maintenance incorrecte !

Une maintenance incorrecte peut être la cause d'endommagements de l'appareil, le rendant inutilisable.

- Observez toujours les intervalles de maintenance spécifiés.
- Suivez les instructions de nettoyage.
- Si les intervalles de maintenance des lampes UV sont dépassés ou si des lampes UV incompatibles sont installées, le pourcentage de rayons UVB nocifs peut augmenter. Des coups de soleil ou autres endommagements de la peau peuvent en résulter !



AVERT. !

Danger de brûlures dû aux lampes et pièces de machines chaudes !

Quand le solarium fonctionnait avant la mise hors tension et l'ouverture, ses lampes et ses pièces peuvent être chaudes.



- Avant de remplacer les lampes ou d'autres pièces détachées, attendez que les lampes et les pièces métalliques soient suffisamment refroidies.



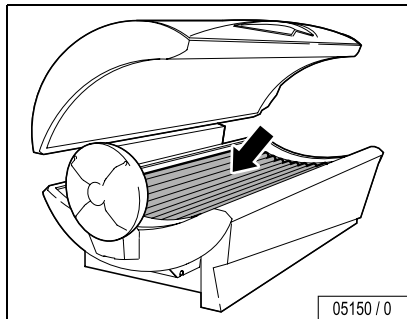
Danger de pincement !

Quand vous ouvrez et fermez le bac, les panneaux et les recouvrements, vous pouvez vous pincer les doigts.

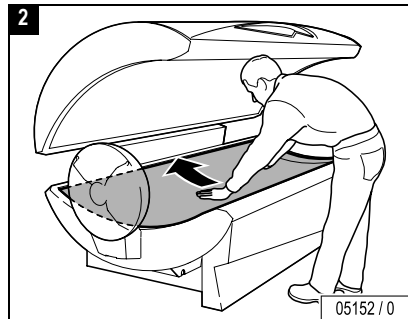
- Evitez les charnières.



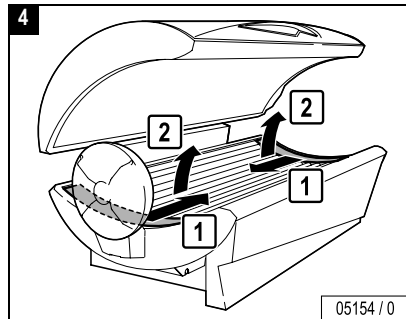
Nettoyage/remplacement des lampes UV basse pression dans la partie inférieure du solarium



05150 / 0



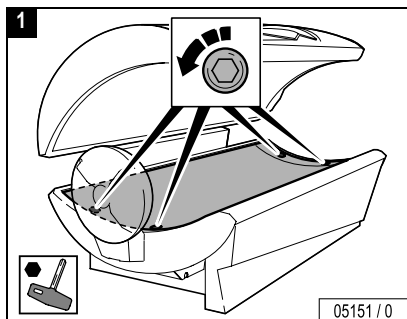
05152 / 0



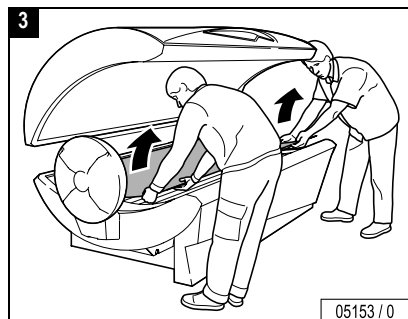
05154 / 0



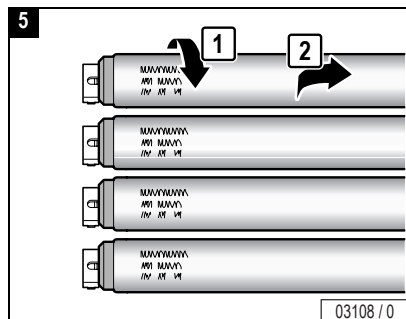
Alimentation arrêt (OFF) !



05151 / 0

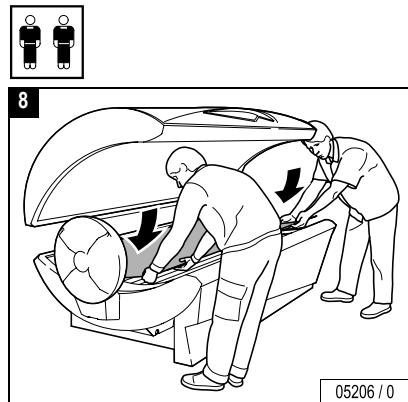
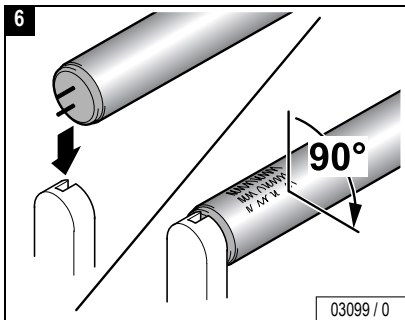


05153 / 0

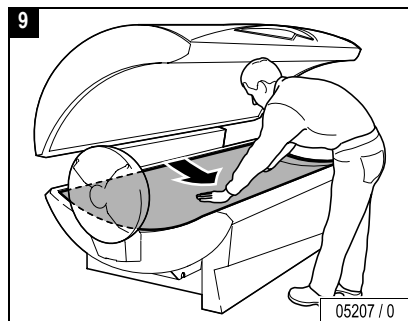
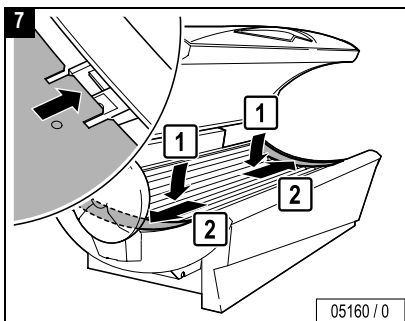
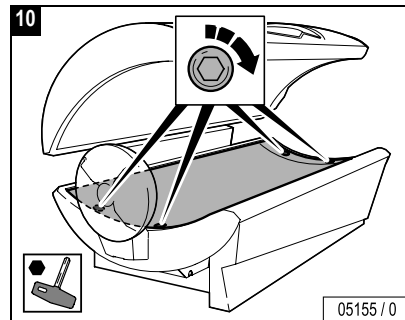


03108 / 0



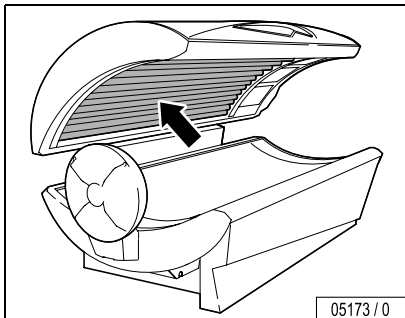


Fermer :





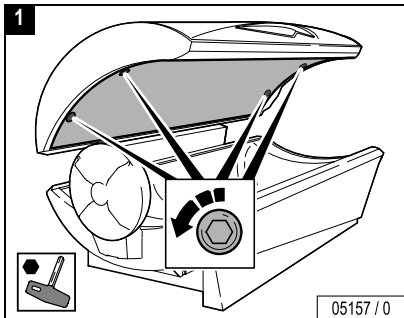
Nettoyage/remplacement des lampes UV basse pression dans la partie supérieure



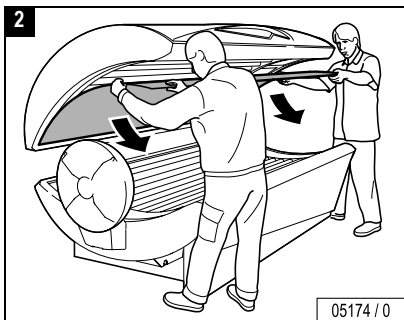
05173 / 0



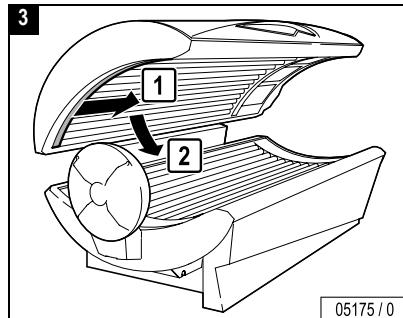
Alimentation arrêté (OFF) !



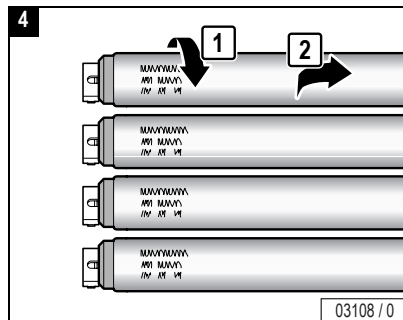
05157 / 0



05174 / 0



05175 / 0



03108 / 0



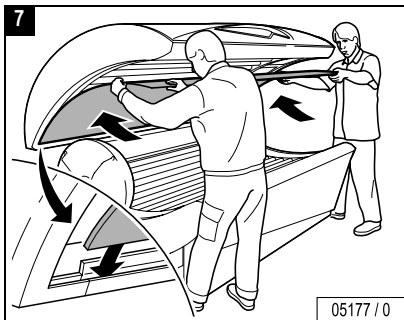
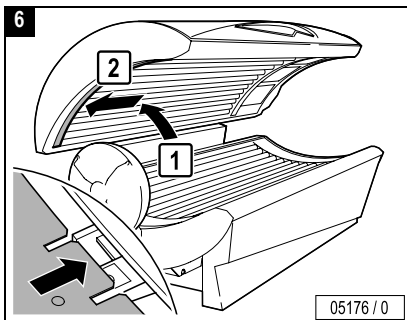
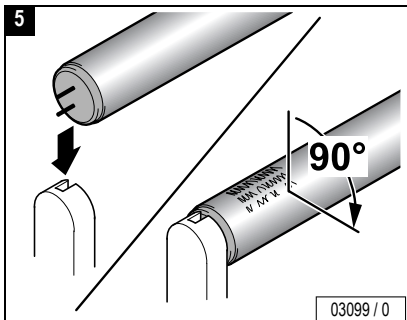
Danger de blessures par la partie supérieure !

DANGER ! La partie supérieure est lourde et tombe d'elle-même quand les 4 vis sont desserrées.

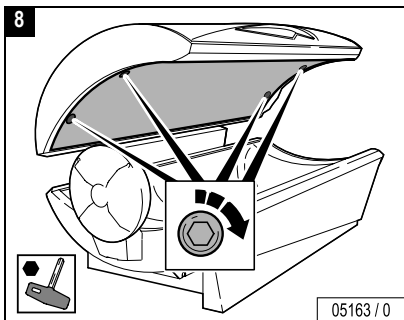
- Étayez la partie supérieure.



Maintenance

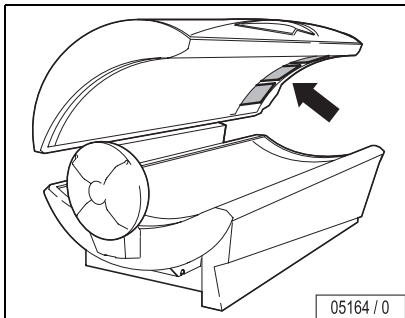


Fermer :





Nettoyage/remplacement des lampes UV haute pression dans la partie supérieure



05164 / 0



Danger de blessures par la partie supérieure !

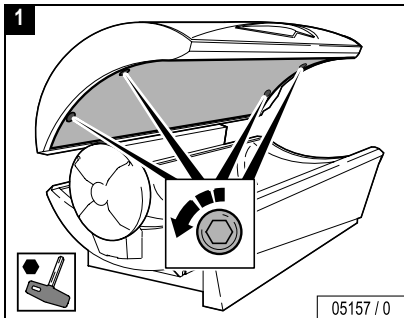
La partie supérieure est lourde et tombe d'elle-même quand les 4 vis sont desserrées.

DANGER !

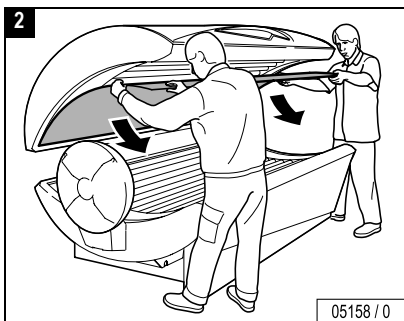
– Etayez la partie supérieure.



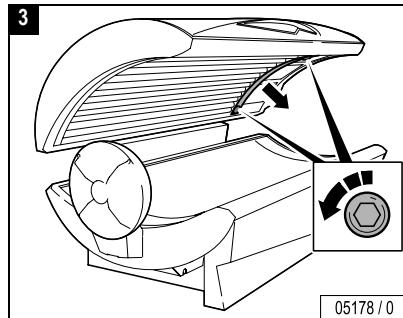
Alimentation arrêt (OFF) !



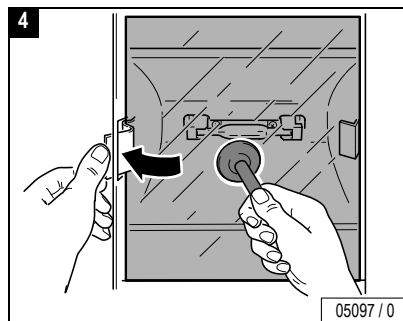
05157 / 0



05158 / 0



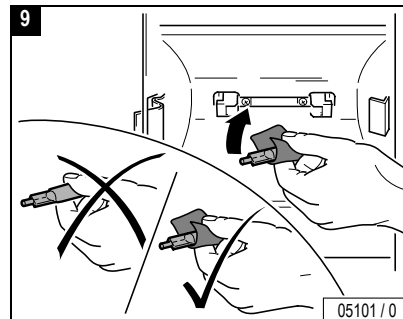
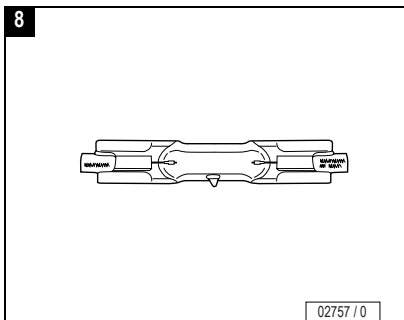
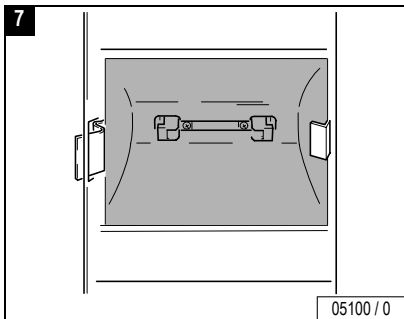
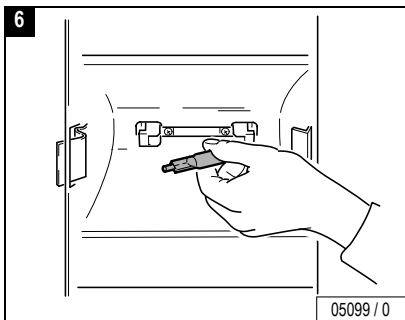
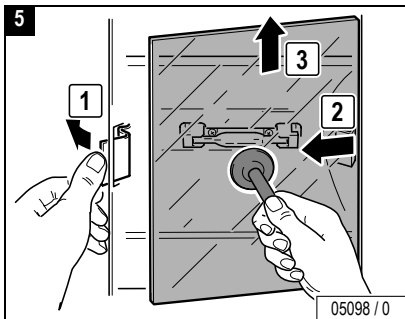
05178 / 0



05097 / 0



...



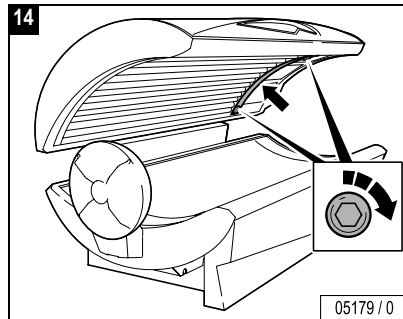
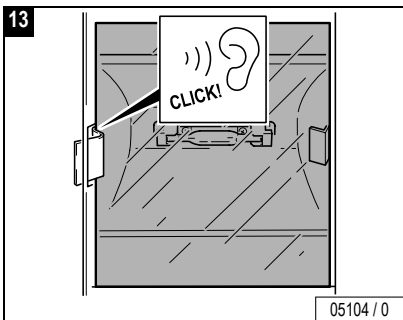
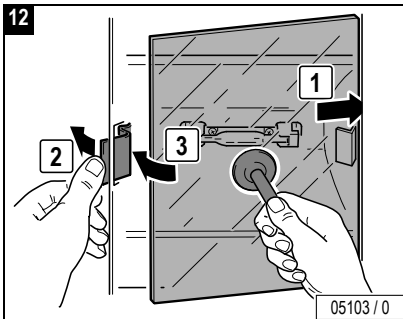
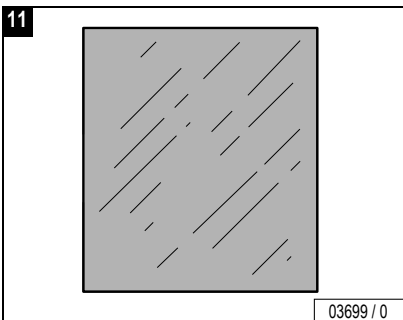
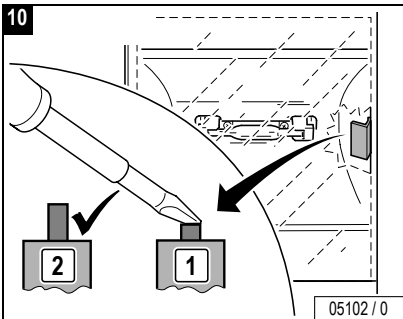
ATTENTION !

Ne touchez pas aux ampoules de verre des lampes UV haute pression avec les doigts nus ! Enlevez soigneusement les salissures.

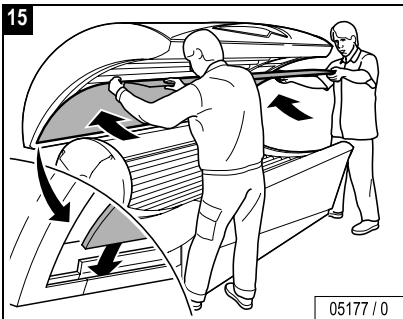
- Ne touchez la nouvelle lampe UV haute pression que sur la surface de saisie – cf. figures 9.



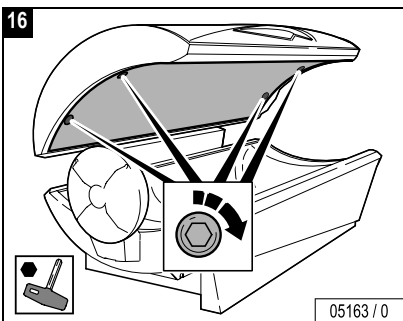
- Vérifiez l'interrupteur de sécurité :




...



Fermer :

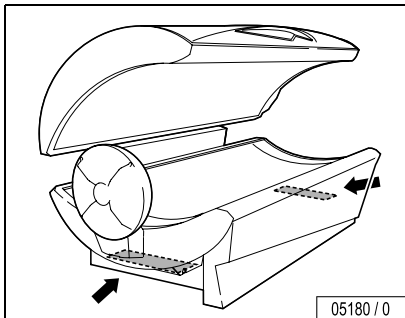


Maintenance 

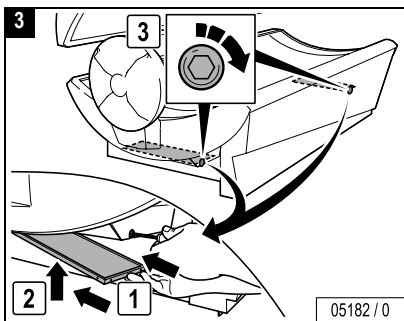
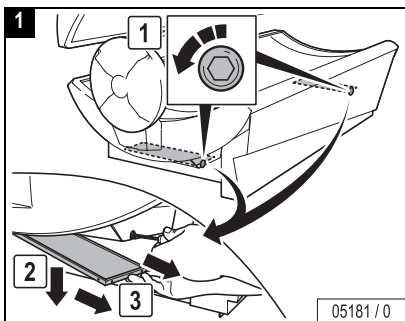
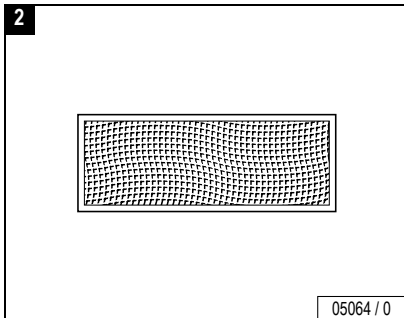




Nettoyage des filtres dans la partie inférieure du solarium



Essuyez légèrement, à sec ou avec de l'eau, ou utilisez un aspirateur.

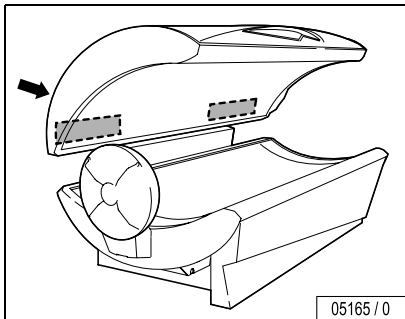


Maintenance





Nettoyage des filtres dans la partie supérieure du solarium



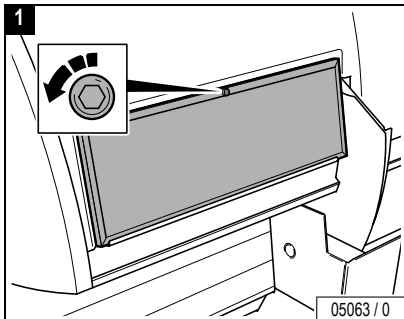
Maintenance



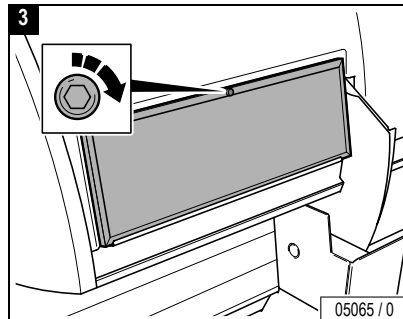
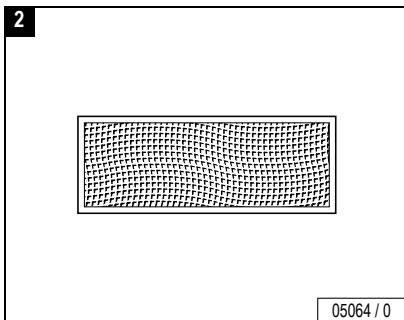
Attention : La partie supérieure peut être endommagée facilement !

Le joint de plastique de la partie supérieure peut se briser.

- Ne pas utiliser la partie supérieure pour y déposer des objets quelconques.

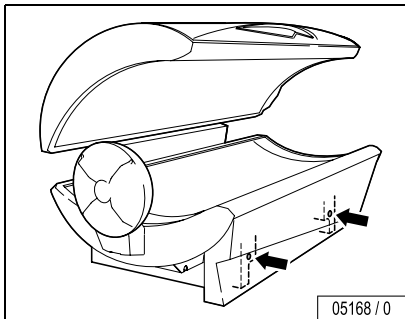


Essuyez légèrement, à sec ou avec de l'eau, ou utilisez un aspirateur.





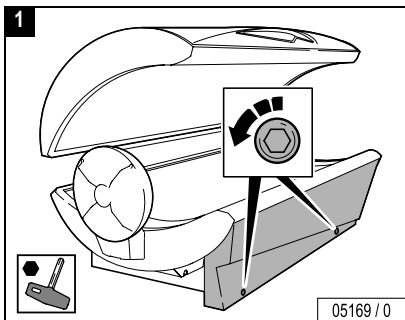
Ajustage de la partie supérieure relevable



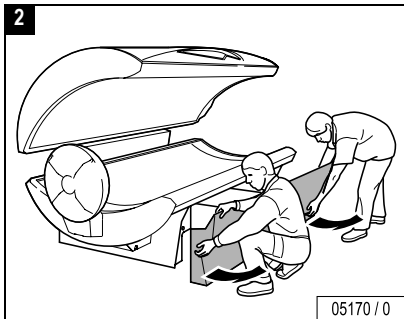
05168 / 0



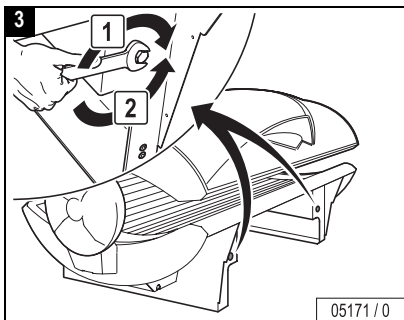
Alimentation arrêt (OFF) !



05169 / 0



05170 / 0



05171 / 0

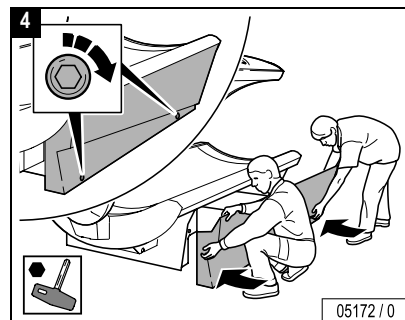
Voir III. 3:

- Tourner dans le sens 1 : la partie supérieure peut être plus facilement ouverte.
- Tourner dans le sens 2 : la partie supérieure peut être plus difficilement ouverte.



Attention – risque de dommage!

Les deux ressorts (tête et pied) doivent être tendus ou détendus uniformément.



05172 / 0



Préréglages

Pour modifier les paramètres

Pour entrer dans la banque de données du système, surveiller le fonctionnement et vérifier les fonctions vitales de votre unité, suivez les instructions pas-à-pas ci-dessous.

Votre solarium peut être adapté facilement pour la commande à l'avant et la télécommande. Veuillez contacter Global Service Division (voir page 3) ou votre représentant compétent pour toutes les informations utiles sur la série Intellitan de commande de banquette.


Pour entrer dans le système :

- Voir saisir le mot de passe (**P01**) page 112.

Pour quitter le système :

- Appuyez sur le bouton stop jusqu'à ce que l'affichage indique 00:00.
- Saisissez à nouveau votre mot de passe (**P01**).

Pour consulter le paramètre actuel (si l'affichage ne clignote pas) :

- Appuyez sur le bouton . Le paramètre apparaît immédiatement.

Si l'affichage clignote, vous ne pouvez pas consulter les paramètres !



Note :

Avant de modifier les paramètres, vous devez déconnecter le solarium du réseau de minuterie ; les boutons sont déverrouillés au bout de 30 secondes. Une fois la programmation terminée, pensez à reconnecter le réseau de la minuterie. Vous pouvez modifier la configuration du verrouillage des boutons à l'aide du paramètre 25.

Préréglages

Réglages standard

P ...	Réglage
P01 – mot de passe	Niveau 1 : 0010 Niveau 2 : 0102
P02 – alarme	Activé
P03 – temporisation de ventilateur	1 minute
P04 – retard au départ	Pas de retard au démarrage de la séance
P05 – adresse d'unité	0000
P06 – durée d'utilisation des lampes	0000
P07 – A/C phase de tension A	Lecture seule (aucun réglage possible)
P08 – A/C phase de tension B	Lecture seule (aucun réglage possible)
P09 – tension moyenne phase A	Lecture seule (aucun réglage possible)
P10 – tension moyenne phase B	Lecture seule (aucun réglage possible)
P11 – température de fonctionnement interne	Lecture seule (aucun réglage possible)
P12 – température ambiante ou de l'unité	Lecture seule (aucun réglage possible)
P13 – température moyenne de fonctionnement	Lecture seule (aucun réglage possible)
P14 – température ambiante ou de l'unité.	Lecture seule (aucun réglage possible)
P15 – Fonction Nettoyage de l'unité	Désactivée

P16 – Economètre	Lecture seule (aucun réglage possible)
P17 – coût de session par minute	Consommation de solarium Kwh x moyenne nationale / 60 minutes
P18 – compteur de session	Lecture seule (aucun réglage possible)
P19 – compteur du nombre total d'heures d'utilisation	Lecture seule (aucun réglage possible)
P20-23	Réservé à une utilisation en usine
P24 – mode décompte continu	Désactivée
P25 – configuration du verrouillage des	0003
P26 – TPI mode écran	Désactivée
P27 – Option de protocole de la minuterie	0000 = protocole Intellitan
P28 – Compteur totalisateur de coût de fonctionnement	0000 (lecture et remise à zéro)
P30 – commande faciale	Activé
P32 – compteur du nombre d'heures de lampe faciale	0000



P01 – Saisie du mot de passe

- Appuyez simultanément sur les boutons ▲ et ▼ (bouton „Time“), maintenez les boutons enfoncés pendant une(1) second et relâchez-les. L'écran bascule de 00:00 sur 0000.
- Appuyez une fois sur reset et relâchez. Les quatre (4) zéros (0000) clignotent.
- Appuyez sur le bouton ▲ et maintenez-le enfoncé jusqu'à ce que l'affichage indique 0010 (pour le niveau 1 ou consultation du mot de passe) ou 0102 (pour le niveau 2 ou modification du mot de passe), puis relâchez-le.
- Appuyez ensuite à nouveau une fois sur reset. L'affichage cesse de clignoter et indique 0001 si vous avez sélectionné le niveau 1 ou 0002 si vous avez sélectionné le niveau 2.

Le système est désormais en mode paramètre. Pour modifier les paramètres, observez les instructions ci-dessus, et utilisez le mot de passe 0102 de niveau 2 (EDIT) et non de niveau 1 (0010). Conservez tous les mots de passe dans un lieu sûr, à l'abri de toute utilisation malveillante.



Note :

Les paramètres 6 et 32 ne peuvent être modifiés qu'au niveau de mot de passe 1.

- Appuyez ensuite sur le bouton ▲ pour accéder au **paramètre 02 (P02)**.



Note :

Pour accéder au paramètre souhaité, appuyez sur le bouton ▲. Pour revenir à un paramètre précédent, appuyez sur le bouton ▼ pour y accéder. Pendant que le bouton est tenu enfoncé, la minuterie indique PXX (XX représentant les chiffres) indiquant le paramètre en cours de traitement.

En mode consultation de paramètre (mode 1), l'affichage indique alternativement le numéro et la valeur du paramètre actuel.

P02 – Fonction d'activation/de désactivation de l'alarme

Le paramètre 2 est le mécanisme qui produit un signal sonore lorsque vous appuyez sur des boutons et pour indiquer les différentes opérations réalisées. Le signal sonore peut être activé ou désactivé.


Lorsque le paramètre 02 est visible, l'affichage indique 0001, l'alarme est activée.

- Pour accéder à P03 sans modifier les réglages, appuyez sur le bouton ▲.

Pour désactiver l'alarme :

- Appuyez une fois sur reset et relâchez. L'affichage commence à clignoter.
- Appuyez sur le bouton ▲ et maintenez-le enfoncé jusqu'à atteindre 0000.


Préréglages

- Appuyez ensuite à nouveau une fois sur reset.
Le signal sonore est maintenant désactivé. Pour réactiver le signal sonore, réglez à nouveau le paramètre 02 sur 0001 à l'aide des instructions fournies ci-dessus.
- Appuyez ensuite sur le bouton  pour accéder au **paramètre 03 (P03)**.




P03 – temporisation de ventilateur

La temporisation de ventilateur maintient un refroidissement approprié à la fin de la séance de bronzage en maintenant l'alimentation en courant des ventilateurs de refroidissement pendant une durée programmable.

Quand le paramètre 03 est affiché, l'affichage lit 1.0, c'est-à-dire une temporisation de ventilateur de une (1) minute.

- Pour accéder à P04 sans modifier les réglages, appuyez sur le bouton .


Pour modifier la temporisation de ventilateur :

- Appuyez une fois sur reset et relâchez. L'affichage commence à clignoter.
- Pour accéder au réglage souhaité, appuyez sur le bouton  ou . La durée va de 1,0 à 5,0, le point indiquant les dixièmes de minute. Par exemple : 1,5 équivaut à 1 minutes et 30 secondes.
- Appuyez une fois sur reset et relâchez.
La temporisation de ventilateur est alors réglée.
- Appuyez ensuite sur le bouton  pour accéder au **paramètre 04 (P04)**.




P04 – retard au départ

Le retard au départ permet de programmer une durée au début d'une session de bronzage, pendant laquelle l'utilisateur peut se préparer. La durée de la session de bronzage affichée sur la minuterie clignote pendant le retard au départ.

Lorsque le paramètre 04 est visible, l'affichage indique 0.0, soit aucun retard au départ.

- Pour accéder à P05 sans modifier les réglages, appuyez sur le bouton .

Pour activer le retard de session :


- Appuyez une fois sur reset et relâchez. L'affichage commence à clignoter.
- Pour accéder au réglage souhaité, appuyez sur le bouton  ou . Time is displayed from 0.0 to 10.0, with decimal representing tenths of a minute. For example: 2.5 equals 2 minutes, 30 seconds.
- Appuyez une fois sur reset et relâchez.
Le retard de session est alors réglé.
- Appuyez ensuite sur le bouton  pour accéder au **paramètre 05 (P05)**.

P05 – Adresse d'unité




L'adresse d'unité est destinée à l'identification du solarium par l'interface avec commandes de la série CCS, la console Intellitan Single Station ou l'interface de protocole Intellitan (IPI) de votre système informatique.

Préréglages

Lorsque le paramètre 05 est visible, l'affichage indique 0000 pour l'adresse d'unité zéro.

- Pour accéder à P06 sans modifier les réglages, appuyez sur le bouton .


Pour changer l'adresse d'unité :

- Appuyez une fois sur reset et relâchez. L'affichage commence à clignoter.
- Pour accéder au réglage souhaité, appuyez sur les boutons  ou .
- Appuyez une fois sur reset et relâchez. L'adresse d'unité est maintenant réglée.
- Appuyez ensuite sur le bouton  pour accéder au **paramètre 06 (P06)**.



P06 – Durée totale d'utilisation de la lampe (sur la rampe lumineuse actuelle)

Le compteur totalisateur d'heures de lampe comptabilise le nombre d'heures de la rampe lumineuse actuelle. Il s'agit d'un paramètre devant être remis à 0 après échange de la lampe. Lorsque la durée totale d'utilisation de la lampe actuelle atteint 1 000, un signal sonore est émis chaque fois que vous allumez l'unité pour indiquer que la lampe doit être changée. Aucun signal sonore n'est émis si vous l'avez désactivé via le paramètre 02. Les paramètres 6 et 32 ne peuvent être modifiés qu'au niveau de mot de passe 1.

Lorsque le paramètre 06 est visible, l'affichage indique 0000, puis 9999.

- Pour accéder à P07 sans modifier les réglages, appuyez sur le bouton .

Pour remettre à zéro le compteur totalisateur de lampe :

- Appuyez une fois sur reset et relâchez. L'affichage commence à clignoter.
- Appuyez sur le bouton  et maintenez-le enfoncé jusqu'à ce que 0000 apparaisse.
- Appuyez une fois sur reset et relâchez. La durée totale d'utilisation de la lampe est maintenant égale à zéro.
- Appuyez ensuite sur le bouton  pour accéder au **paramètre 07 (P07)**.

P07 – Mesure de la tension A/C de phase A

Le paramètre 07 donne la mesure de la tension A/C de phase A.

Le résultat est affiché immédiatement, l'affichage lit les résultats de 0000 à 0200 volts, 0120 étant la valeur nominale.

- Appuyez ensuite sur le bouton  pour accéder au **paramètre 08 (P08)**.

P08 – Mesure de la tension A/C de phase B

Le paramètre 08 donne la mesure de la tension A/C de phase B.

Le résultat est affiché immédiatement, l'affichage lit les résultats de 0000 à 0200 volts, 0120 étant la valeur nominale.

Préréglages

- Appuyez ensuite sur le bouton  pour accéder au **paramètre 09 (P09)**.

P09 – Mesure de la tension moyenne A/C de phase A

Le paramètre 09 est la mesure de la tension moyenne A/C de phase A de la session précédente ou de la session actuelle si la tension est appliquée sur le solarium.

Le résultat est affiché immédiatement.

- Appuyez ensuite sur le bouton  pour accéder au **paramètre 10 (P10)**.

P10 – Mesure de la tension moyenne A/C de phase B

Le paramètre 10 est la mesure de la tension moyenne A/C de phase B de la session précédente ou de la session actuelle si la tension est appliquée sur le solarium.

Le résultat est affiché immédiatement.

- Appuyez ensuite sur le bouton  pour accéder au **paramètre 11 (P11)**.

P11 – Mesure de la température interne de fonctionnement

Le paramètre 11 est la mesure de la température interne de fonctionnement.

Le résultat est affiché immédiatement. L'unité de mesure est le degré Fahrenheit.

- Appuyez ensuite sur le bouton  pour accéder au **paramètre 12 (P12)**.

P12 – Mesure de la température ambiante ou de la température de l'unité

Le paramètre 12 est la mesure de la température ambiante du solarium ou de l'unité.

Le résultat est affiché immédiatement. L'unité de mesure est le degré Fahrenheit.

- Appuyez ensuite sur le bouton  pour accéder au **paramètre 13 (P13)**.

P13 – Mesure de la température moyenne de fonctionnement

Le paramètre 13 est la mesure de la température moyenne de fonctionnement pendant la session précédente ou la session actuelle sur la tension est appliquée sur le solarium

Le résultat est affiché immédiatement. L'unité de mesure est le degré Fahrenheit.

- Appuyez ensuite sur le bouton  pour accéder au **paramètre 14 (P14)**.



Préréglages

P14 – Mesure de la moyenne de température ambiante ou de température de l'unité

Le paramètre 14 est la mesure de la température ambiante moyenne du solarium ou de l'unité pendant la session précédente ou la session actuelle sur la tension est appliquée sur le solarium.


Le résultat est affiché immédiatement. L'unité de mesure est le degré Fahrenheit.

- Appuyez ensuite sur le bouton  pour accéder au **paramètre 15 (P15)**.

P15 – Fonction Nettoyage de l'unité



Lorsque la fonction Nettoyage de l'unité est activée, des tirets (----) apparaissent sur l'affichage de la minuterie à la fin de chaque session de bronzage pour indiquer que le solarium doit être nettoyé. En mode réseau, aucune durée ne peut être programmée sur la minuterie si l'indicateur Nettoyage de l'unité est affiché. Pour remettre à zéro la fonction Nettoyage de l'unité après que l'unité a été nettoyée, appuyez deux fois sur le bouton x après un bref intervalle.

Lorsque le paramètre 15 est visible, l'affichage indique 0000 pour la fonction Nettoyage de l'unité.

- Pour accéder à P16 sans modifier les réglages, appuyez sur le bouton .

Pour activer la fonction Nettoyage de l'unité :

- Appuyez une fois sur reset et relâchez. L'affichage commence à cli-gnoter.

- Appuyez une fois sur le bouton  pour afficher 0001.
- Appuyez une fois sur reset et relâchez.
La fonction Nettoyage de l'unité est maintenant activée.
Pour désactiver la fonction Nettoyage de l'unité, réglez le paramètre 15 sur 0000.
- Appuyez ensuite sur le bouton  pour accéder au **paramètre 16 (P16)**.

P16 – Economètre


L'économètre mesure le coût, en terme de consommation électrique, de l'unité d'alimentation pour la session précédente ou la session en cours si le solarium est actif. Le coût affiché est calculé à partir du coût de session par minute entré dans P17.

Le résultat est affiché immédiatement. Les valeurs sont indiquées en cents et dixièmes de cent.

- Appuyez ensuite sur le bouton  pour accéder au **paramètre 17 (P17)**.

P17 – Coût à la minute

Ce chiffre est saisi directement sur la banque de données du solarium selon la Moyenne Nationale de 7.5 cents par kilowattheure. La formule utilisée est consommation du solarium kWh x Moyenne Nationale / 60 minutes = coût par minute.

- Pour accéder à P18 sans modifier les réglages, appuyez sur le bouton .

Préréglages

Pour changer le coût par minute :

- Appuyez une fois sur reset et relâchez. L'affichage commence à cli-gnoter.
- Pour accéder au réglage souhaité, appuyez sur le bouton ▲ ou ▼. Les valeurs sont indiquées en cents et dixièmes de cent. Par exemple : Le résultat .4 signifie quatre dixièmes de cent.
- Appuyez une fois sur reset et relâchez. Le coût par minute est maintenant réglé.
- Appuyez ensuite sur le bouton ▲ pour accéder au **paramètre 18 (P18)**.

P18 – Compteur de session

Le compteur de session indique le nombre total de démarrages de session depuis le premier jour de mise en service. Le compteur de session va de 0000 à 9999, puis recommence. Le compteur de session ne peut être ni réglé ni réinitialisé.

Le résultat est affiché immédiatement.

- Appuyez ensuite sur le bouton ▲ pour accéder au **paramètre 19 (P19)**.

P19 – Nombre total d'heures d'utilisation

Ce compteur indique le nombre total d'heures d'utilisation du solarium depuis son premier jour de mise en service. Le compteur va de 0000 à 9999, puis recommence à partir de 0000. Le compteur du nombre total d'heures d'utilisation ne peut être ni réglé ni réinitialisé.

Le résultat est affiché immédiatement.

- Appuyez ensuite sur le bouton ▲ pour accéder au **paramètre 24 (P24)**.

P24 – Mode décompte continu

Le mode décompte continu permet au propriétaire du centre de bronzage de tenir un planning plus serré en désactivant la fonction de pause de la minuterie ; le temps de bronzage continue ainsi à être décompté même si les lampes sont éteintes par pression du bouton stop.

Lorsque le paramètre 24 est visible, l'affichage indique 0000 pour la fonction Décompte continu.

- Pour accéder à P25 sans modifier les réglages, appuyez sur le bouton ▲.

Pour activer le mode décompte continu :

- Appuyez une fois sur reset et relâchez. L'affichage commence à cli-gnoter.
- Appuyez sur le bouton ▲ jusqu'à ce que 0001 soit affiché.
- Appuyez une fois sur reset et relâchez. Le mode décompte continu est maintenant réglé. Pour désactiver cette fonction, réglez le paramètre 24 sur 0000
- Appuyez ensuite sur le bouton ▲ pour accéder au **paramètre 25 (P25)**.

P25 – Configuration du verrouillage des boutons

L'option de configuration du verrouillage des boutons permet au gérant du centre de bronzage de garantir la sécurité en verrouillant les boutons situés à l'avant selon des intervalles donnés lorsque la minuterie est connectée à un réseau.

Les intervalles de verrouillage des boutons sont les suivants :

0 – Verrouillage des boutons et déverrouillage uniquement lors du redémarrage.

1 – Verrouillage des boutons et déverrouillage uniquement lorsque le paramètre se voit attribuer une valeur différente de 01.

2 – Verrouillage des boutons et déverrouillage uniquement lorsque le câble réseau a été déconnecté depuis 2 minutes.

3 – Verrouillage des boutons et déverrouillage uniquement lorsque le câble réseau a été déconnecté depuis 30 secondes.




ATTENTION !

Ne réglez le paramètre 25 sur 01 que si vous disposez d'un système de commande principal CCS-IV ou d'un autre dispositif de commande.

Sans système de commande principal CCS-IV ou un autre dispositif de commande, vous ne pourrez pas modifier ce paramètre ou déverrouiller les boutons situés à l'avant. L'interface IPI (Intelligent Protocol Interface) ne permet **pas** de modifier ce paramètre, ni les autres.

Lorsque le paramètre 25 est visible, l'affichage indique 0003 pendant 30 secondes.

– Pour accéder à P26 sans modifier les réglages, appuyez sur le bouton .

Pour modifier la configuration du verrouillage des boutons :

– Appuyez une fois sur reset et relâchez. L'affichage commence à clignoter.

– Appuyez ensuite sur le bouton  jusqu'à ce que la valeur souhaitée (de 00 à 03) apparaisse.

– Appuyez une fois sur reset et relâchez.

– Eteignez, puis rallumez la minuterie et le solarium. La configuration du verrouillage des boutons est maintenant enregistrée.

– Appuyez ensuite sur le bouton  pour accéder au **paramètre 26 (P26)**.


P26 – Interface de tiers

Le paramètre 26 est le mode écran de l'interface de tiers (TPI). La minuterie est équipée d'un connecteur TPI directement sur la minuterie. Ce connecteur sert pour une deuxième interface ou une interface supplémentaire lorsqu'un autre système de minuterie est utilisé. Le connecteur TPI est installé à côté des deux connecteurs de réseau sur le solarium (sous le recouvrement de charnière). C'est le plus grand des trois connecteurs ; il est raccordé avec la fiche modulaire qui n'est pas utilisée jusque-là. Si vous utilisez la minuterie Intellitran Plus en mode TPI, Intellitran Plus identifie la tension de commande (5 à 30V) sur les deux fils extérieurs du câble modulaire enfilés sur le port TPI. Lorsque cette tension est identifiée, le temps de bronzage maximal est envoyé à la mi-



Préréglages

minuterie et le solarium démarre. Il est possible de programmer un retard de session sur la minuterie externe et la session Intellitan est remise à 0. La barre de boutons avant est verrouillée en mode TPI.

Lorsque le paramètre 26 est visible, l'affichage indique 0000 : désactivé.

- Pour accéder à P27 sans modifier les réglages, appuyez sur le bouton .

Pour activer le mode TPI :

- Appuyez une fois sur reset et relâchez. L'affichage commence à clignoter.
- Appuyez sur le bouton  jusqu'à ce que 0001 soit affiché.
- Appuyez une fois sur reset et relâchez.
- Eteignez, puis rallumez la minuterie et le solarium. Le mode TPI est maintenant réglé.
Pour désactiver cette fonction, réglez le paramètre 26 sur 0000.
- Appuyez ensuite sur le bouton  pour accéder au **paramètre 27 (P27)**.

P27 – Option de protocole de la minuterie

L'option de protocole de la minuterie permet au gérant du centre de bronzage de passer du protocole réseau Intellitan Network au protocole

T-Max¹ pour une utilisation avec Applied Digital T-Max Manager. Pour plus d'informations, consultez la documentation T-Max.

Les options sont :

- 0 – Intellitan remote.
- 1 – Protocole T-Max.




ATTENTION !

Ne réglez le paramètre 27 sur 0001 que si vous utilisez vraiment Applied Digital T-Max Manager !

Pour régler à nouveau le paramètre 27 sur Intellitan Remote, reportez-vous aux instructions de modification de paramètre de la documentation T-Max. Vous ne pouvez **pas** utiliser un système de commande principal CCS-1 ou IPI avec une minuterie qui utilise le protocole T-Max.

Lorsque le paramètre 25 est visible, l'affichage indique 0000 pour le protocole Intellitan.

- Pour accéder à P28 sans modifier les réglages, appuyez sur le bouton .



Pour changer le protocole T-Max :

- Appuyez une fois sur reset et relâchez. L'affichage commence à clignoter.

1. T-Max est une marque commerciale déposée de Salon Systems, Inc./Applied Digital, Inc. Branson, MO.




Préréglages


- Appuyez sur le bouton  jusqu'à ce que 0001 soit affiché.
- Appuyez une fois sur reset et relâchez.
- Eteignez, puis rallumez la minuterie et le solarium. Le protocole T-Max est maintenant activé.
Pour désactiver cette fonction et amener le paramètre 27 sur 0000, reportez-vous aux instructions de modification de paramètre de la documentation T-Max.
- Appuyez ensuite sur le bouton  pour accéder au **paramètre 28 (P28)**.

P28 – Compteur totalisateur de coût de fonctionnement

Ce paramètre donne le nombre total du coût d'utilisation du solarium sur la base du paramètre 17, coût de session par minute. Ce paramètre est affiché en dollars et cents et va jusqu'à \$999.9. Le compteur totalisation de coût de fonctionnement peut être remis à 0 n'importe quand pour obtenir le décompte des coûts de fonctionnement pour un jour, une semaine, un mois, un trimestre ou une année.

- Pour accéder à P30 sans modifier les réglages, appuyez sur le bouton .

Pour remettre à zéro le coût total de fonctionnement :

- Appuyez une fois sur reset et relâchez. L'affichage commence à clignoter.
- Appuyez sur le bouton  jusqu'à ce que 0000 soit affiché.
- Appuyez une fois sur reset et relâchez.
Le compteur totalisateur de coûts de fonctionnement est maintenant


remis à 0 et recommencera le décompte à partir de la session suivante.

- Appuyez ensuite sur le bouton  pour accéder au **paramètre 30 (P30)**.



P30 – Commande faciale (pas sur XS-2/35)

Lorsque le paramètre de commande faciale est activé, la commande faciale peut être activée n'importe quand pendant la session de bronzage. Lorsque le paramètre de commande faciale est désactivé, la commande faciale peut être désactivée n'importe quand pendant la session de bronzage. Lorsque le paramètre de commande faciale est désactivé, vous pouvez réaliser une session sans bronzage facial. En position désactivée, le client ne peut donc pas activer la commande faciale à l'intérieur du solarium.

Lorsque le paramètre 30 est visible, l'affichage indique 0001 : activé.

- Pour accéder à P32 sans modifier les réglages, appuyez sur le bouton .

Pour désactiver la commande faciale :


- Appuyez une fois sur reset et relâchez. L'affichage commence à clignoter.
- Appuyez sur le bouton  jusqu'à ce que 0000 soit affiché.
- Appuyez une fois sur reset et relâchez.
La commande faciale est maintenant désactivée.
- Appuyez ensuite sur le bouton  pour accéder au **paramètre 32 (P32)**.

P32 – Compteur totalisateur de lampe faciale (pas sur XS-2/35)

Ce paramètre totalise le nombre d'heures de fonctionnement de la rampe de lampe actuelle. Ce paramètre peut être réinitialisé et doit être remis à zéro après l'échange de lampe faciale. Lorsque la durée totale d'utilisation de la lampe actuelle atteint 1000, un signal sonore est émis chaque fois que vous allumez l'unité pour indiquer que la lampe doit être changée. Aucun signal sonore n'est émis si vous l'avez désactivé via le paramètre 02. Les paramètres 06 et 32 sont les seuls paramètres modifiables au niveau de mot de passe un.

- Pour quitter le mode de paramètre, appuyez sur start/stop jusqu'à ce que l'affichage indique 00:00.

Pour effacer le compteur totalisateur de lampe faciale :

- Appuyez une fois sur reset et relâchez. L'affichage commence à clignoter.
- Press  until 0000 is displayed.
- Appuyez une fois sur reset et relâchez.
Le compteur totalisateur de lampe faciale est maintenant remis à 0 et recommencera le décompte à partir de la session suivante.
Tous les autres paramètres sont destinés à des fonctions futures et ne sont pas encore utilisés.

Pour quitter le système

- Pour quitter le mode de paramètre, appuyez sur start/stop jusqu'à ce que l'affichage indique 00:00.



Défauts, causes et dépannage

Probleme:	Origine/Solution :	Page
L'équipement ne fonctionne pas.	La durée de bronzage maximum a été dépassée.	
	Un interrupteur de sécurité a réagi : <ul style="list-style-type: none">• Les panneaux filtrants étaient-ils fermés ?	103
	L'équipement surchauffe : <ul style="list-style-type: none">• Partie inférieure : contrôlez le filtre et nettoyez-le ou remplacez-le si nécessaire.• Partie supérieure : contrôlez le filtre et nettoyez-le ou remplacez-le si nécessaire.• Laissez l'équipement refroidir, puis redémarrez.	107 108
Certaines lampes ne fonctionnent pas.	Défaut au niveau de la lampe ou du starter. <ul style="list-style-type: none">• Remplacez la lampe ou le starter.	99, 101

Si l'équipement ne fonctionne toujours pas ou si un autre problème survient, consultez le service après-vente à l'adresse suivante :



Global Service Division
#1 Walter Kratz Drive
Jonesboro, Arkansas 72401

☎ 800 445 0624



Défauts,
dépannage

Index

A

Accessoires 77

B

Bronzage 84

Bronzeur faciaux, maintenance 103

Bronzeurs faciaux, service 87

C

Caractéristiques techniques 89

Charge maximale autorisée 90

Commande faciale 120

Compteur

 D'utilisation des lampes 114

 Session 117

Configuration du verrouillage des boutons 118

Coupure nominal 89

Coût à la minute 116

D

Début de la séance de bronzage 84

Dépannage 122

Description de solarium 84

Désinfection 79

Dimensions 90

Directives 77

E

Élimination de matériaux recyclables 80

Emballage 80

Entrer dans le système (prérégles) 110

Entretien 78

Évacuation des lampes 80

Exportation 77

F

Filtres, nettoyage 107, 108

Fonction d'alarme 112

G

Global Service Division 65

H

Humidité ambiante 91

I

Information de sécurité, maintenance 98

Instructions relatives au remplacement des

lampes, généralités 98

Interface de tiers 118

L

Lampes UV basse pression

 Nettoyage/remplacement 99

 Remplacement 101

Lampes UV haute pression 103

Lampes UV, remplacement planifiée 96

Lunettes de protection 84

M

Maintenance et entretien 78

Maintenance planifiée 95

Maintenance, information de sécurité 98

Mesures de protection 93

N

Nettoyage 79

Nettoyage de l'unité (prérégles) 116

Nettoyage planifiée 94, 95

Nettoyage/remplacement des lampes UV

basse pression dans la partie supérieure .. 101

Nettoyage/remplacement des lampes UV

haute pression dans la partie supérieure .. 103

Notice générale pour le bronzage 81

Index

O

Obligations de l'exploitant 72

P

Panneaux filtrants, maintenance plaifiée 97

Paramètre, consulter le paramètre actuel. 110

Partie supérieure : Ajustage 109

Peau, durées de bronzage 81

Pièces détachées 78

Préréglages 110

Proper use 10

Protection de l'environnement 80

Protective goggles 22

Puissance 89

Q

Quitter le système (préragles) 110

R

Réglages pendant le démarrage 86

Remplacement des lampes 98

Retard au départ 113

S

Saisie du mot de passe 112

Surfaces en plastique 79

T

Température ambiante 91

Temporisation de ventilateur 113

Temps de bronzage 67

Temps de préparation 84

Tension nominale 89

Tolérance solarium dans la pièce 90

Types de peau 66

U

Utilisation conforme 72

V

Ventilateur, service 88

Verre axrylique, nettoyage 79

Vue d'ensemble, maintenance 94

Vue d'ensemble, service 84

Garantie limitée Soltron

Soltron garantit pendant une durée de trois (1) ans à partir de la date de l'achat que ses produits sont libres de toute non-conformité de matériau et de main-d'œuvre pour une utilisation normale telle qu'elle est décrite dans le Manuel de manipulation et d'instructions de l'unité.

La garantie limitée est valable pour l'acquéreur d'origine de l'équipement par les soins de Soltron ou du vendeur ou distributeur autorisé ; elle n'est pas transférable.

Les obligations de Soltron au titre de la présente garantie sont limitées à la réparation ou le remplacement des pièces non conformes sans charge pour ladite pièce pour l'acquéreur d'origine, avec les exceptions suivantes :

- A Les lampes fluorescentes sont garanties contre les défauts pendant une période de trente (30) jours à partir de la date de l'achat.
- B Seules peuvent être utilisées les pièces acquises auprès de Soltron, de ses revendeurs et distributeurs autorisés. Les frais de transport pour les pièces expédiées l'acquéreur et le retour des pièces défectueuses à Soltron ne sont pas compris.
- C Les travaux sont uniquement délivrés sans charge pendant une durée de quatre-vingt dix (90) jours à partir de la date de l'achat. Tous les travaux et frais en relation avec ceux-ci doivent être autorisés par Soltron avant de commencer la réparation et doivent être conformes aux barèmes et à la pratique de répartition dans le temps établis par Soltron.

D Matériau acrylique : Selon la pratique de garantie du fabricant du matériau acrylique.

Il est absolument indispensable que l'acquéreur d'origine remplisse et retourne la carte de garantie incluse dans les 10 jours après l'achat pour assurer un enregistrement valable et la couverture des recours éventuels.

Si la carte de garantie n'est pas enregistrée, le recours en garantie ne sera pris en considération qu'après établissement de la preuve d'un achat auprès de Soltron ou d'un vendeur ou distributeur agréé par celle-ci. Cette procédure peut entraîner un retard du service.

La garantie est élargie à la personne physique ou morale dont le nom apparaît sur la carte d'enregistrement déposée auprès de Soltron, ou dont le nom apparaît dans le document de vente original ; elle ne peut pas être transférée à une autre personne physique ou morale.

La présente garantie ne s'applique pas dans les cas de défaillance du produit ou d'une pièces quelconque du produit due à des altérations, des modifications, des utilisations interdites, des accidents, une maintenance non conforme, une installation non conforme, les catastrophes naturelles, ou si le numéro de série sur le produit a été changé, altéré ou effacé. Un emballage adéquat sera utilisé pour retourner les pièces afin de prévenir les dommages.

Il n'existe pas de garantie au delà de celle décrite ci-dessus. Il n'y a pas de garantie expresse ou implicite de bon fonctionnement et de valeur loyale et marchande.

Garantie limitée

Les prestations accordées au titre de la présente garantie limitée sont les seules prestations délivrées à l'acquéreur par Soltron et sont accordées à titre de substitution par rapport à toutes les autres prestations. Les dommages consécutifs et incidents sont exclus.

Personne, aucune société ni aucun établissement ne peut obliger Soltron à un titre quelconque pour l'acquisition ou l'utilisation des choses ci-dessus.

Garantie limitée du matériau acrylique

Soltron garantit pendant une durée de un (1) an à partir de la date d'achat du solarium que les panneaux acryliques sont exempts de toute non-conformité de matériau et de main-d'œuvre, pour une utilisation normale. Cette garantie ne s'étend pas aux altérations dues aux lotions de solarium, produits cosmétiques, désinfectants et agents de nettoyage non conformes appliqués sur les surfaces du solarium et ne pouvant pas être contrôlés par Soltron au delà de la première période de garantie de trente (30) jours. Le verre acrylique sera facturé à un montant proportionné aux frais de l'acquéreur en cas de bris.

Les obligations de Soltron ne s'étendent pas aux frais de transport et au remplacement de la surface acrylique.

Soltron n'endosse aucune responsabilité pour les frais de démontage des feuilles et l'installation des feuilles de rechange, ni pour les dommages aux personnes et aux biens.

Pour tout recours en garantie, contactez le vendeur ou le distributeur autorisé de Soltron ou le Global Service Division en mentionnant le nu-

méro du modèle, le numéro de série et la date de l'acquisition de la banquette sur laquelle la surface acrylique est utilisée.

Il n'existe pas de garantie au delà de celle décrite ci-dessus. Il n'y a pas de garantie expresse ou implicite de bon fonctionnement et de valeur loyale et marchande.

Les prestations accordées au titre de la présente garantie limitée sont les seules prestations délivrées à l'acquéreur par Soltron et sont accordées à titre de substitution par rapport à toutes les autres prestations. Les dommages consécutifs et incidents sont exclus.

Global Service Division

#1 Walter Kratz Drive

Jonesboro, Arkansas 72401

☎ (800) 445 0624

Email: support@jkamerica.com

Web: support.jkamerica.com

Recours en garantie

Pratique et procédure

1. Pour une demande de recours en garantie

Si votre solarium ne fonctionne pas correctement dans les conditions normales d'utilisation décrites par le Manuel de manipulation et d'instructions de l'unité, vous pouvez déposer une demande de recours en garantie.

**NOTE :**

Préalablement à toute prise en considération de la demande de recours en garantie, le solarium et le propriétaire légalement enregistré doivent satisfaire aux critères de garantie limitée de Soltron du présent manuel.

2. A qui s'adresser pour une demande de recours en garantie :

Soltron entretient un réseau étendu de vendeurs et de distributeurs nationaux dans la plupart des pays où sont vendues les unités. Ces vendeurs et distributeurs sont tenus par contrat de tenir en magasin une réserve suffisante de pièces pour couvrir les différentes nécessités de la garantie et des réparations hors garantie pour leurs clients.

Toutefois, pour adresser correctement votre recours en garantie, vous devez être en possession du nom et du numéro de téléphone du vendeur ou du distributeur auprès duquel vous avez acquis votre unité. Normalement, cette information est facile à trouver sur votre facture ou autre document établissant la vente et que vous avez reçu à la livraison de l'unité.

Ensuite, communiquez au vendeur ou au distributeur le numéro de série, le numéro de modèle et la date à laquelle l'unité a été acquise. La procédure de recours en garantie est alors engagée.

Jusqu'à ce que le problème soit localisé, votre vendeur ou distributeur peut vous approvisionner avec la ou les pièces et vous donner les instructions appropriées pour retourner votre unité avec un ordre de travail.

Chaque vendeur et distributeur applique une procédure qui lui est propre pour le suivi des recours et des crédits en garantie.

**NOTE :**

Le fabricant Soltron n'intervient pas lui-même dans le suivi direct du recours en garantie, sauf les cas de litiges et les cas dans lesquels cette intervention est requise par la loi.

Recours en garantie sur les pièces / Revue de crédit

1. L'acquéreur appelle Soltron et notifie le problème au Département Service.
2. Le Département Service de Soltron fixe la marche à suivre.
3. Soltron expédie les pièces et R.A.I. à la charge de l'acquéreur pour le fret et établit la facture payable à 30 jours nets, uniquement pour les pièces.
4. Dans les 15 jours suivant la nouvelle pièce, l'acquéreur retourne la pièce défectueuse à Soltron avec R.A.I.
5. Jusqu'à la réception de la part défectueuse et du R.A.I., Soltron établit un débit de crédit à l'ordre de l'acquéreur compensant le montant

Garantie limitée

de la facture originale Le compte de l'acquéreur est remis à zéro pour ce qui concerne ce recours.



NOTE :

S'il s'avère que la pièce retournée à Soltron est opérationnelle et ne présente pas de défaut ou si le numéro de la pièce n'est pas identique aux informations de l'unité individuelle sur le fichier de Soltron, un supplément de 30% sera facturé en plus du prix de vente au détail de la pièce.

Il n'est pas nécessaire que la présente convention ait été agréée pour que les conditions ci-dessus s'appliquent.

Recours en garantie de travail / Procédures de crédit

Soltron fournit le travail sans frais pendant une durée de 90 jours à partir de la date de l'achat. Tous les travaux et frais en relation avec ceux-ci doivent être autorisés par Soltron avant de commencer la réparation et doivent être conformes aux barèmes et à la pratique de répartition des travaux dans le temps établis par Soltron.

Veuillez contacter notre Département Service pour l'authentification et les procédures de facturation.

Garantie limitée pendant la durée de vie utile

Soltron garantit les composantes spécifiques individuelles du solarium professionnel contre les non-conformités de matériau et de main-d'œuvre pendant la durée de vie utile du produit. Cette garantie est limitée aux unités qui ont été acquises après le 1er novembre 1994.

La présente garantie est limitée aux composantes ci-dessous :

- Les panneaux arrière en acier
- Les composantes des structures de cadre d'acier
- Le corps extérieur d'acier.



NOTE :

La garantie pour lesdites composantes s'entend sur une base individuelle et n'est pas valable pour le produit complet.

Ladite garantie n'inclut pas les anomalies esthétiques telles que les rayures, les entailles, les dents, l'oxydation de la peinture ou autres modifications esthétiques qui n'ont pas d'incidence sur le fonctionnement de l'unité tel qu'il est prévu.

Ladite garantie ne s'étend pas aux défaillances du produit dues au vieillissement, aux modifications, aux erreurs de manipulation, aux erreurs de maintenance, aux erreurs d'installation et de réparation.

Ladite garantie n'est pas transférable, elle est valable uniquement pour l'acquéreur d'origine dont le nom est transmis et inscrit sur le registre de garantie du quartier général de Soltron.

Garantie limitée

Les obligations de Soltron ne s'étendent pas aux frais de transport pour l'expédition de composantes nouvelles à l'acquéreur ni au retour au fabricant des pièces défectueuses. L'acquéreur supporte toutes les dépenses de fret.

Il n'existe pas de garantie au delà de celle décrite ci-dessus. Il n'y a pas de garantie expresse ou implicite de bon fonctionnement et de valeur loyale et marchande.

Les prestations accordées au titre de la présente garantie limitée sont les seules prestations délivrées à l'acquéreur par Soltron et sont accordées à titre de substitution par rapport à toutes les autres prestations. Les dommages consécutifs et incidents sont exclus.



NOTE :

Toute utilisation interdite ou abusive, toute modification, altération, maintenance non conforme, installation non conforme, etc., du produit ci-dessus ou de son utilisation normale entraînent la responsabilité directe de l'auteur et la prise en charge de toutes les conséquences qui en résultent. De plus, lesdites actions entraînent la perte de toutes les garanties et libèrent Soltron de toutes ses obligations concernant ledit produit.

